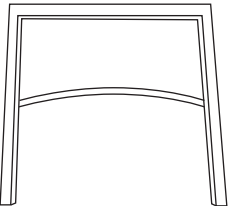


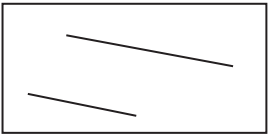
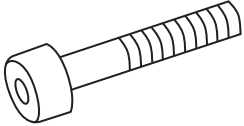

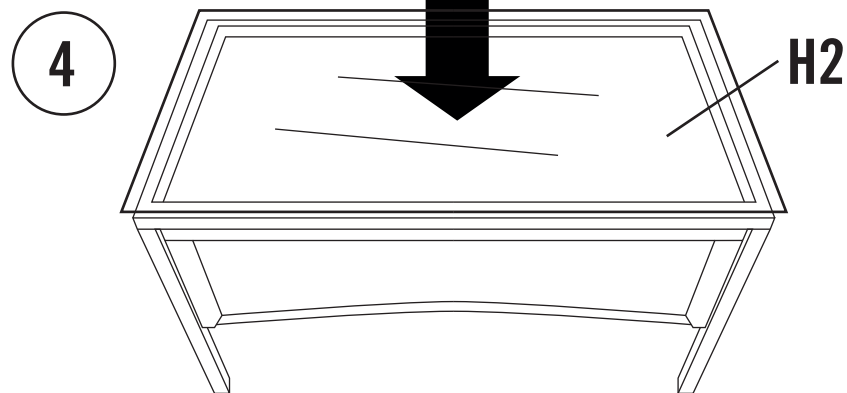
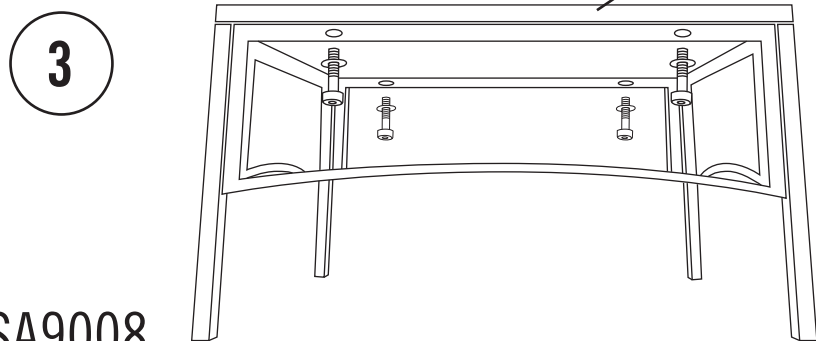
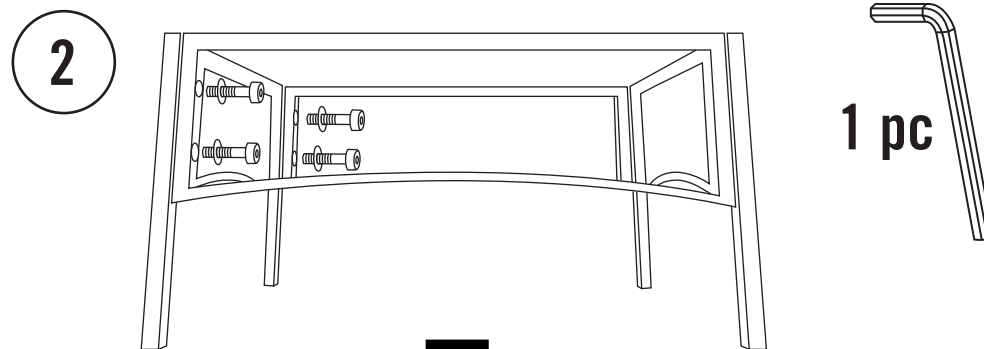
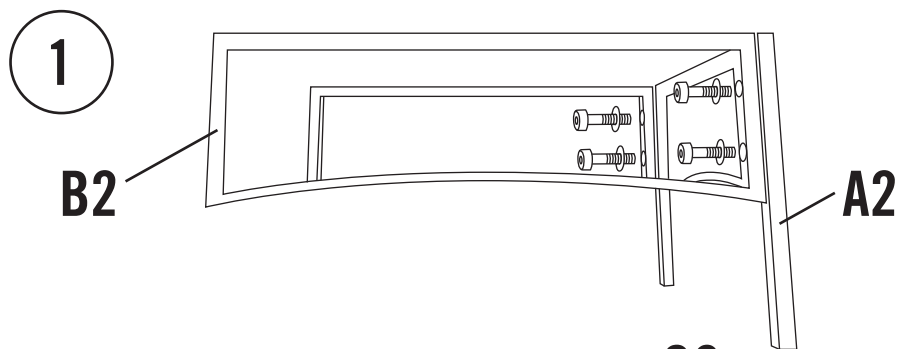
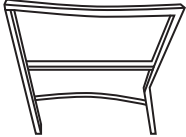
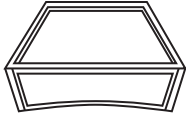
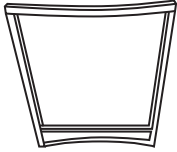
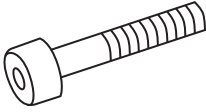




A2	B2	C2	H2	E	F
					
2 pcs	2 pcs	1 pc	1 pc	12 pcs	12 pcs

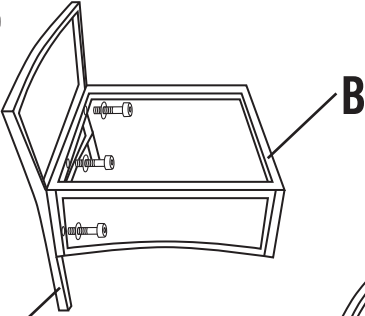


TSA9008
TSA9009

ROSE

A	B	C	D	E	F
					
2 pcs	1 pc	1 pc	12 pcs	12 pcs	1 pc

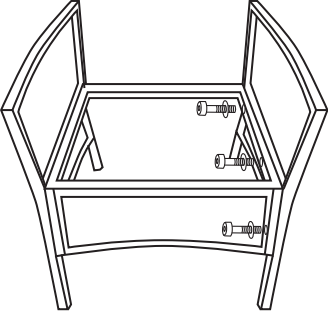
1



A

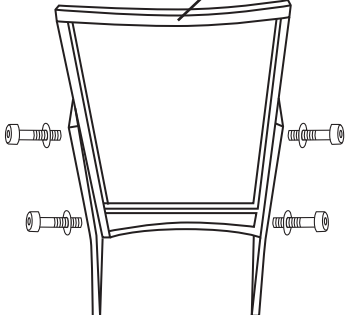
B

2



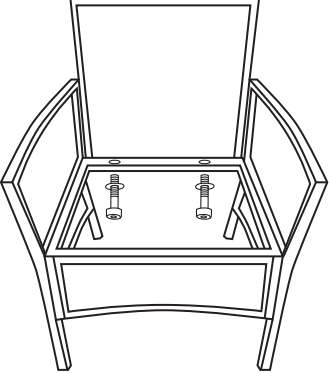
ROSE

C

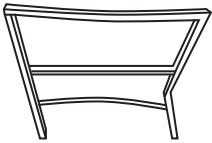
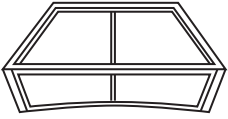
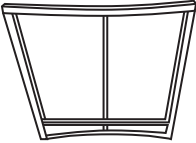
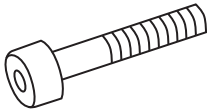



4

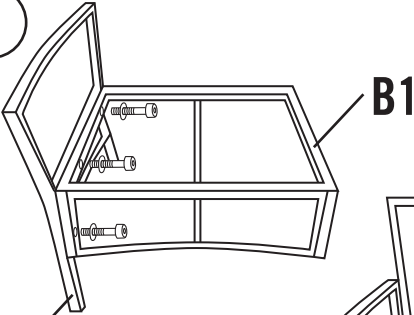
3



TSA9008
TSA9009

A	B1	C1	D	E
				
2 pcs	1 pc	1 pc	12 pcs	12 pcs

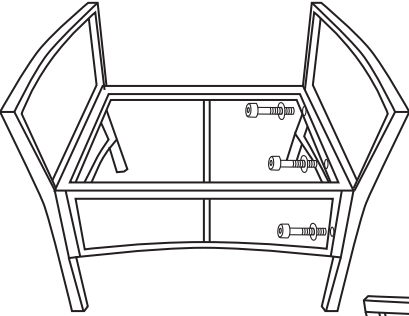
1



A

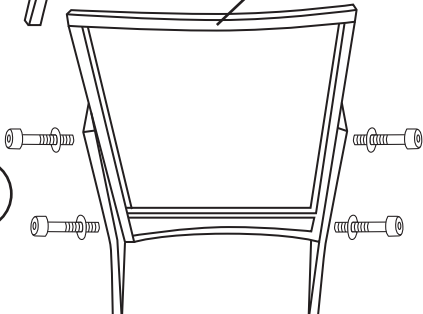
B1

2



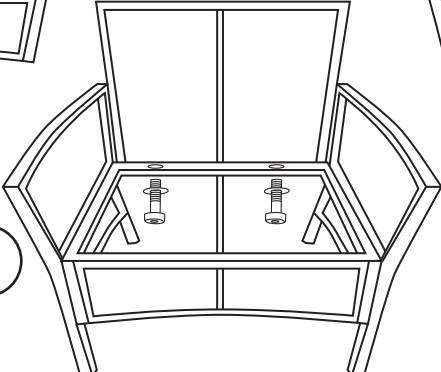
ROSE

C1



4

3



TSA9008
TSA9009