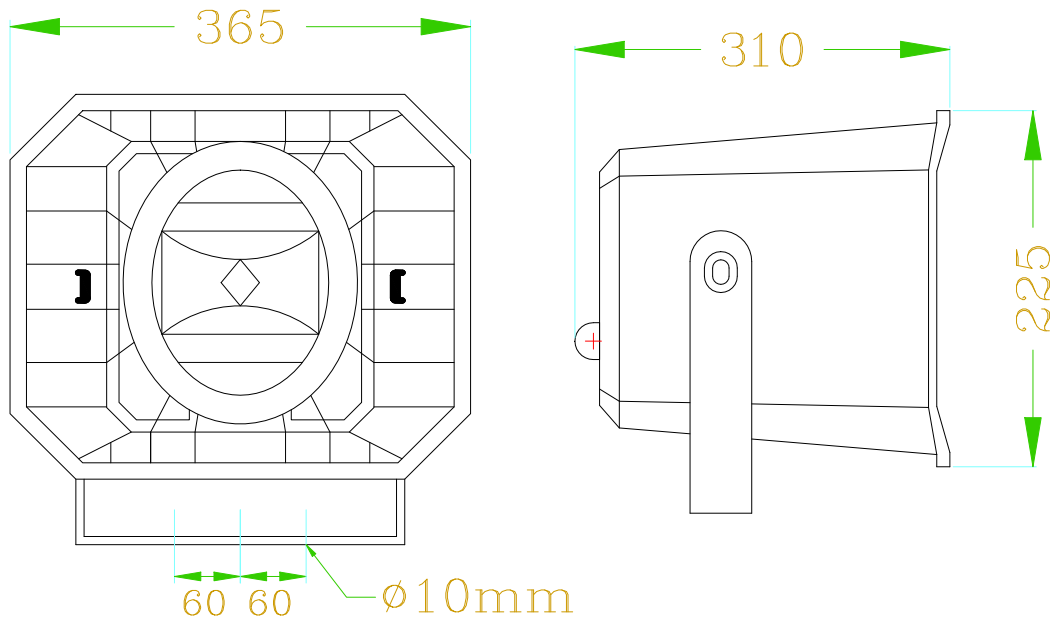


DH-110 HORN SPEKAER

Parameter



Transformer:
100 Volt line

Primary nominal tapping
1:2 50W
1:3 25W
1:4 12.5W
1:5 8Ohm

1=Black
2=Red
3=White
4=Yellow
5=Green

Rated Power-----50W

Line Voltage-----100V

Sensitivity----- $99 \pm 3\text{dB}$

Frequency Response-----90-20kHz

Dimension ----- $\Phi 365*225*310\text{mm}$

Material-----ABS