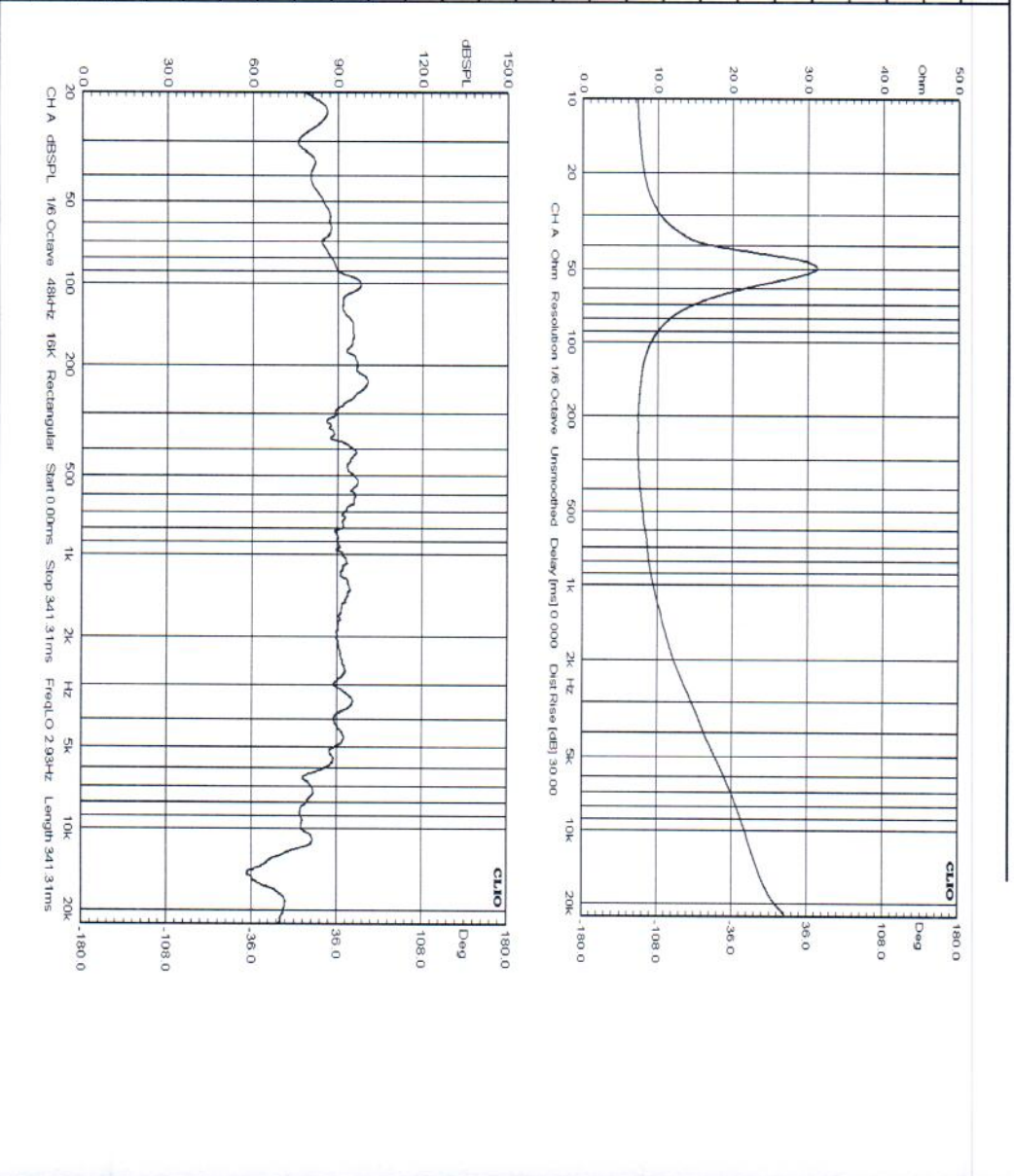
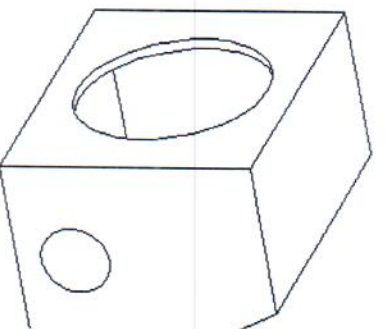
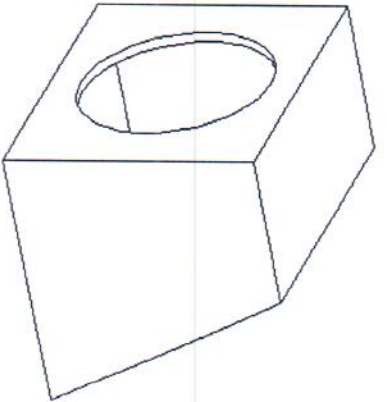
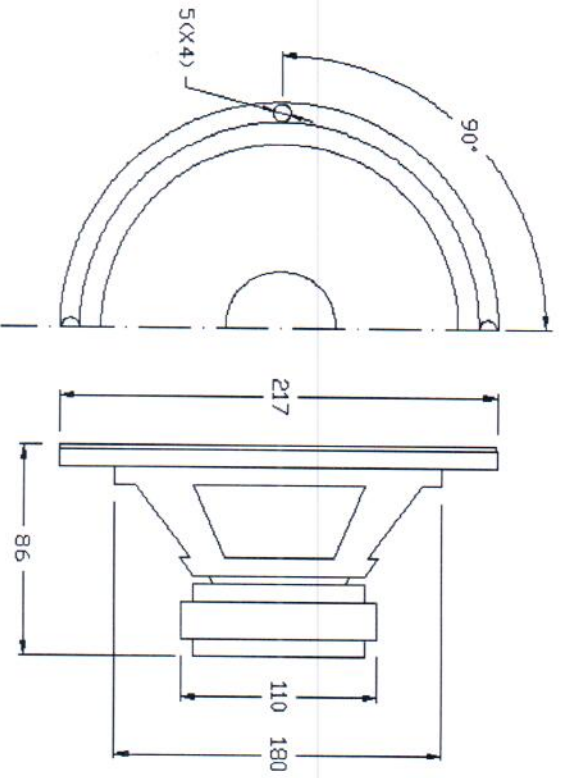




## SPEAKER SPECIFICATIONS

<b>Model Number:</b>	<b>C8015-4</b>
<b>GENERAL SPECIFICATIONS</b>	
Nominal Diameter:	8 inch
Rated Impedance:	4 ohms
Operating Bandwidth:	40-6k Hz (-3dB)
Power Handling Capacity:	150 Watts
Sensitivity (1W/M):	91 dB(+/-3dB)
Voice Coil Diameter:	1.0 inch
<b>THIELE-SMALL PARAMETERS</b>	
Resonance Frequency	Fs: 53.0 HZ
DC Resistance	Re: 3.4ohm
Mechanical Q Factor	Qms: 4, 47
Electrical Q Factor	Qes: 1, 54
Total Q Factor	Qts: 1, 15
Equivalent Gas air load	Vas: 23.03 L
Surface Area of Cone	Sd: 0.0219 m <sup>2</sup>
Efficiency Bandwidth Product	EBP 34, 4
Voice Coil Over Hang	X-max 5 mm
<b>PHYSICAL INFORMATION</b>	
Basket:	Black Stamp Steel
Magnet Type:	24 Oz
Cone Material:	Injection PP
Surround:	Rubber
Dust Cap:	Injection PP
Damper:	cloth





**Sealed Box**

**Vented Box**

Suggested enclosure parameters	Sealed		Vented	
	Small	Large	Small	Large
Enclosure volume, cu. ft.	0,7	NA	0,7	N
Vent length, inches	-	-	6,0	-
Vent diameter, inches	-	-	2,7	-
Enclosure Frequency, Hz	72	-	-	-
Fb Tuning Frequency of Vented Enclosure, Hz	NA	-	54	-
F3 Systems 3dB Down Piont(Sealed), Hz	58	-	-	-