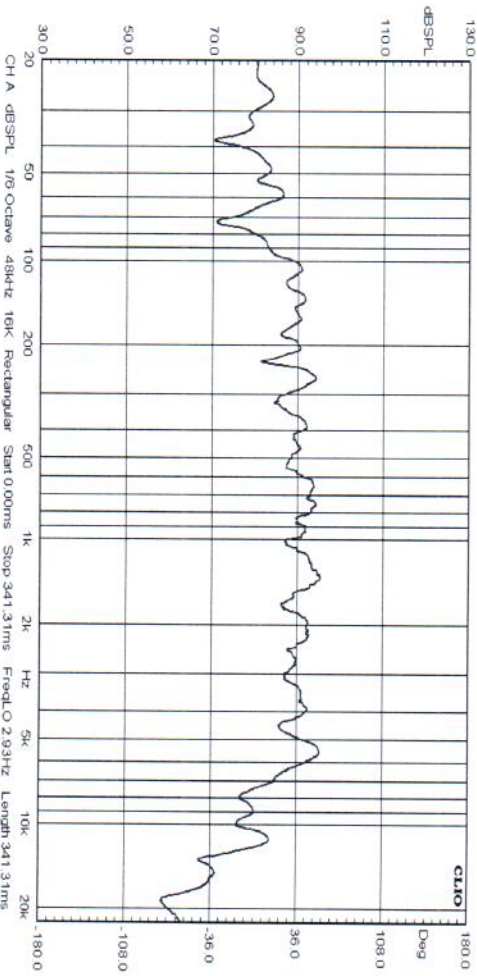
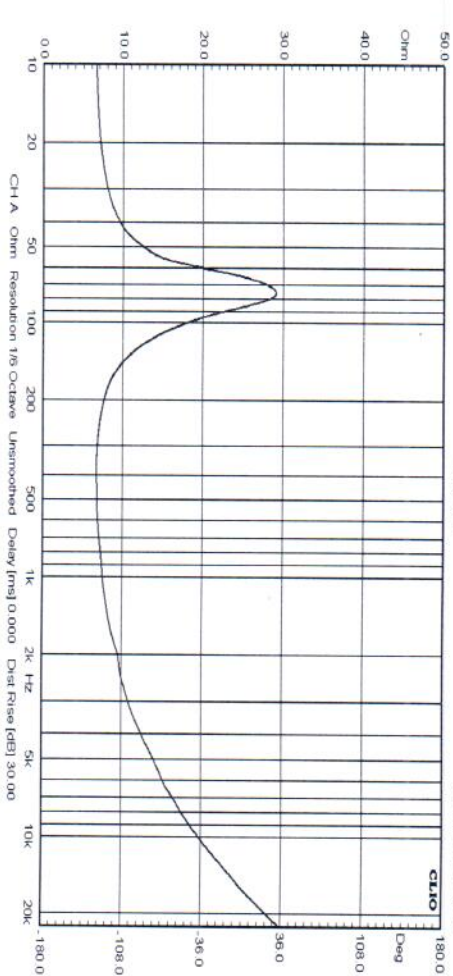
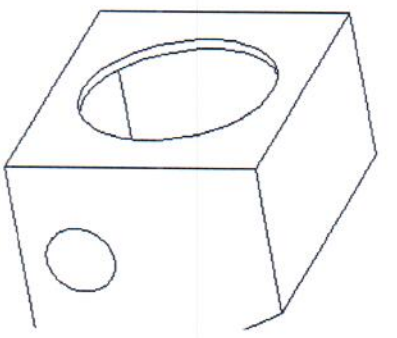
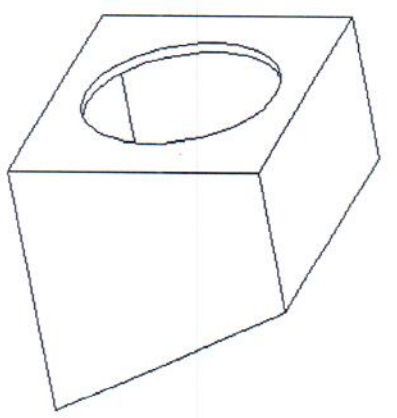
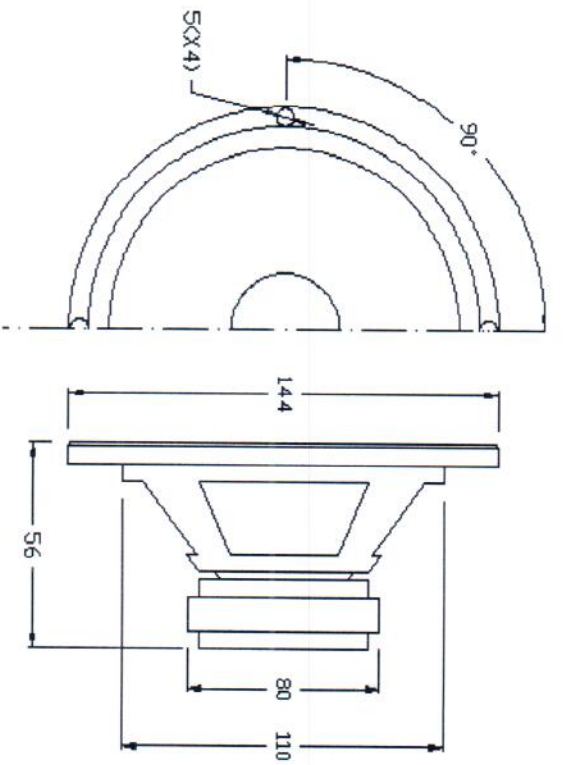




## SPEAKER SPECIFICATIONS

<b>Model Number:</b>	<b>C5015-4</b>
<b>GENERAL SPECIFICATIONS</b>	
Nominal Diameter:	5 inch
Rated Impedance:	4 ohms
Operating Bandwidth:	60-8k hz (-3dB)
Power Handling Capacity:	75 Watts
Sensitivity (1W/M):	89 dB(+3dB)
Voice Coil Diameter:	1 inch
<b>THIELE-SMALL PARAMETERS</b>	
Resonance Frequency	Fs: 79.43 HZ
DC Resistance	Re: 3.4ohm
Mechanical Q Factor	Qms: 2,84
Electrical Q Factor	Qes: 1,8
Total Q Factor	Qts: 1,1
Equivalent Gas air load	Vas: 3.72 L
Surface Area of Cone	Sd: 0.008 m <sup>2</sup>
Efficiency Bandwidth Product	EBP 45,13
Voice Coil Over Hang	X-max 3 mm
<b>PHYSICAL INFORMATION</b>	
Basket:	Black Stamp Steel
Magnet Type:	10 OZ
Cone Material:	Injection PP
Surround:	Rubber
Dust Cap:	PP
Damper:	cloth





**Sealed Box**

**Vented Box**

Suggested enclosure parameters	Sealed		Vented	
	Small	Large	Small	Large
Enclosure volume, cu. ft.	0, 35	NA	0, 4	N
Vent length, inches	-	-	4, 8	-
Vent diameter, inches	-	-	2, 0	-
Enclosure Frequency, Hz	90	-	-	-
Fb Tuning Frequency of Vented Enclosure, Hz	NA	-	60	-
F3 Systems 3dB Down Point (Sealed), Hz	67, 5	-	-	-