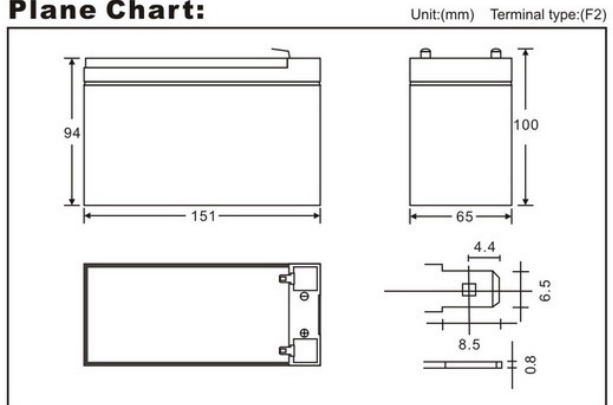




Akumulator żelowy VIPOW 12V 9Ah



Plane Chart:



ISO9001
ISO140001
OHSAS18001

Characteristic:

1. 100% testing before out of factory, stable and reliable quality is guaranteed.
2. Professional alloy formula and advanced manufacturing techniques.
3. Completely sealed and maintenance free, low self-discharge.
4. Good charge-discharge acceptability.
5. Cyclic application: deep cycle charge-discharge for more than 260 times.
6. Floating application: for 3-5 years.

Application:

- Anti-theft system
- Radio transceiver
- Power system
- Railroad engine and railway communication
- Emergency lighting and lamps
- Electric tools
- Electronic instruments and other backup power
- Medical facilities
- UPS for banking system
- Computer backup power
- Marine system
- UPS for fire fighting system
- Toys

Parts:

Executed Standard:GB/T 19639.1-2005

Cover	Container Bottom	Terminal	Positive Plate	Negative Plate	Separator	Electrolyte	Safety Valve	Seal Glue
ABS	ABS	Copper	PbO ₂	Pb	AGM	dilute sulphuric acid	Rubber	Epoxy Resin

Packing

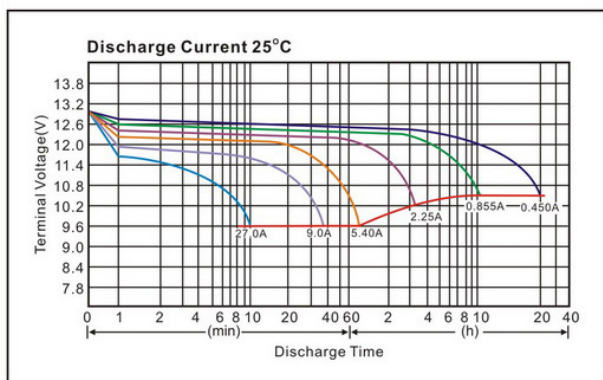
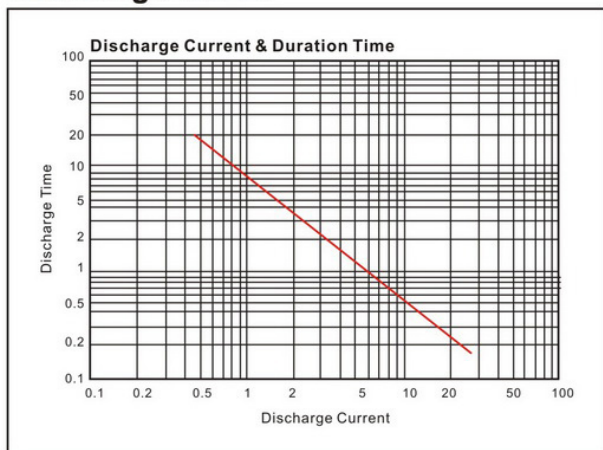
Date	Battery Packing	Inner Packing	Outer Packing
① Printing	① Polybag	Paper Box	Carton Packing
② Branded	② Shrink		
Carton Sealing		Accessories	
① Packing Strap	Bolts&nuts	Mini Charger	
② Shrink	With	Optional	

Parameter Chart:

Volts		12V	
Capacity(25°C)	20 hours rate (0.45A)	9Ah	
Discharge Current Testing (25°C)	20 I ₂₀ rate (9A, 27min)	40min	
	60 I ₂₀ rate (27A, 7min)	10min	
Internal Resistance	Full Charged Battery 25°C		20mΩ
Capacity Affected By Temperature (20 hours rate)	40°C	102%	
	25°C	100%	
	0°C	85%	
	-15°C	62%	
Residual Capacity (25°C)	Capacity After 3 Months Storage	91%	
	Capacity After 6 Months Storage	82%	
	Capacity After 12 Months Storage	64%	
Cycle (Above 300 Time)	Discharge 2hrs at 2.25A Current Charge 6hrs at 0.9A Current (25°C)		
Charge (Constant Voltage)	Cycle (25°C)	Initial Charging Current Less Than 2.7A Voltage 14.5~14.9V	
	Float (25°C)	Charge Voltage 13.6~13.8V	
Weight (Approx)		2.5Kg	

★The above are average and date obtained from the first 3 charge/discharge cycles. These are not minimum values.

Discharge Curve





Constant Current Discharge (Amperes) at 25°C (77°F)												
F.V/Time	5min	10min	15min	30min	1Hr	2Hr	3Hr	4Hr	5Hr	6Hr	10Hr	20Hr
1.80V/cell	24.84	18.63	13.50	9.09	5.31	2.97	2.250	1.800	1.584	1.296	0.846	0.441
1.75V/cell	25.74	18.99	13.77	9.27	5.38	3.06	2.340	1.890	1.620	1.314	0.864	0.450
1.70V/cell	28.08	20.16	14.58	9.63	5.49	3.15	2.403	1.917	1.647	1.341	0.880	0.457
1.65V/cell	30.87	21.87	15.84	10.17	5.49	3.17	2.430	1.940	1.665	1.350	0.891	0.459
1.60V/cell	33.48	22.95	16.65	10.62	5.58	3.24	2.448	1.953	1.683	1.377	0.900	0.468

Constant Power Discharge (Watts/cell) at 25°C (77°F)												
F.V/Time	5min	10min	15min	30min	1Hr	2Hr	3Hr	4Hr	5Hr	6Hr	10Hr	20Hr
1.80V/cell	325.40	239.54	191.97	114.16	65.51	35.49	26.228	21.677	18.090	15.197	10.103	5.292
1.75V/cell	376.60	259.47	200.83	118.53	67.46	36.18	26.757	22.063	18.360	15.429	10.260	5.400
1.70V/cell	400.14	268.87	206.98	121.23	68.68	36.80	27.000	22.449	18.463	15.737	10.314	5.427
1.65V/cell	418.12	276.29	211.73	122.90	69.50	37.18	27.194	22.680	18.527	15.891	10.336	5.438
1.60V/cell	432.00	280.80	216.00	124.20	70.20	37.57	27.346	22.911	18.576	16.046	10.336	5.438

Loading Info

Master Carton			Pallet			20 GP	
Pcs/Ctn	Size(mm)	N.W.(kg)	Size(mm)	Total CTNS	N.W.(T)	Pallet Qty	Battery Qty(pcs)
10 PCS	340*310*128	25.00	1.12*1	63	1.58	10	7620
			1.12*0.75	66	1.65	2	