



## Akumulator żelowy VIPOW 12V 9Ah



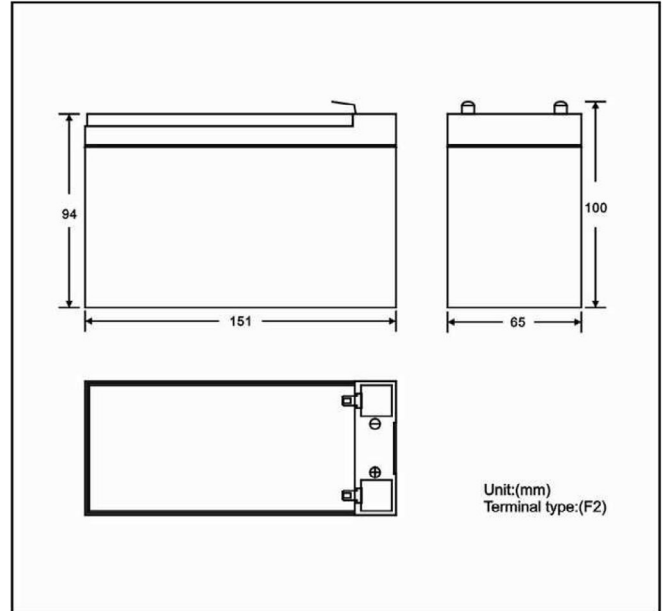
### Specifications

LP9-12		
Nominal Voltage		12V
Rated Capacity (20 hours rate)		9.0Ah
Dimension (±2mm)	Total Height (with terminals)	100mm
	Length	151mm
	Width Height	65mm 94mm
Weight (Approx)		2.5Kg

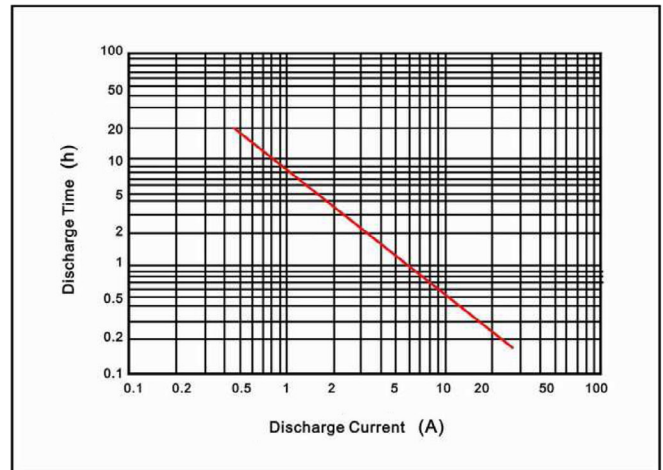
### Characteristics

Capacity	20 hours rate (0.45A)	9Ah
Discharge Current Testing (25°C)	20 I <sub>20</sub> rate (9A, 27min) 60 I <sub>20</sub> rate (27A, 7min)	40min 10min
Internal Resistance	Full Charged Battery 25°C	20mΩ
Capacity Affected By Temperature (20 hours rate)	40°C 25°C 0°C -15°C	102% 100% 85% 62%
Residual Capacity (25°C)	Capacity After 3 Months Storage Capacity After 6 Months Storage Capacity After 12 Months Storage	91% 82% 64%
Cycle (Above 300 Time)	Discharge 2hrs at 2.25A Current Charge 6hrs at 0.9A Current (25°C)	
Charge (Constant Voltage)	Cycle (25°C)	Initial Charging Current Less Than 2.7A; Voltage 14.5~14.9V
	Float (25°C)	Charge Voltage 13.6~13.8V

★ The above are average and data obtained from the first 3 charge/discharge cycles. These are not minimum values.



### Discharge Current & Duration Time



### Discharge Current 25°C

