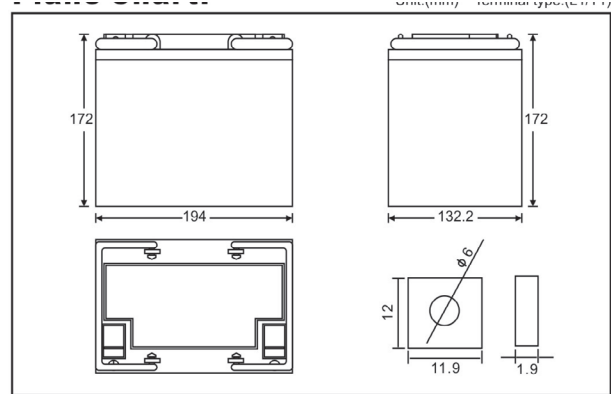




Akumulator żelowy VIPOW 12V 33Ah



ISO9001
ISO140001
OHSAS18001

Characteristic:

1. 100% testing before out of factory, stable and reliable quality is guaranteed.
2. Professional alloy formula and advanced manufacturing techniques.
3. Completely sealed and maintenance free, low self-discharge.
4. Good charge-discharge acceptability.
5. Cyclic application: deep cycle charge-discharge for more than 260 times.
6. Floating application: for 3-5 years.

Application:

- Anti-theft system
- Radio transceiver
- Power system
- Railroad engine and railway communication
- Emergency lighting and lamps
- Electric tools
- Electronic instruments and other backup power
- Medical facilities
- UPS for banking system
- Computer backup power
- Marine system
- UPS for fire fighting system
- Toys

Parts:

Executed Standard: GB/T 19639.1-2005

Cover	Container Bottom	Terminal	Positive Plate	Negative Plate	Separator	Electrolyte	Safety Valve	Seal Glue
ABS	ABS	Copper	PbO ₂	Pb	AGM	dilute sulphuric acid	Rubber	Epoxy Resin

Packing

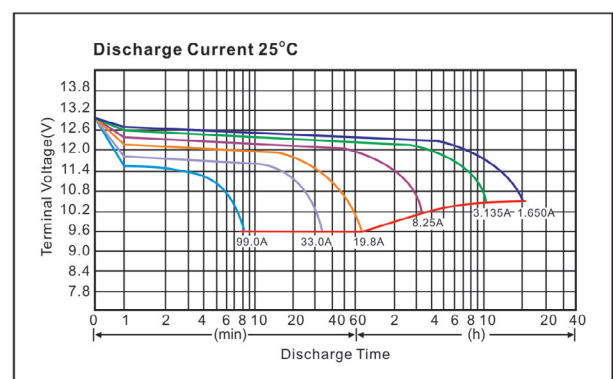
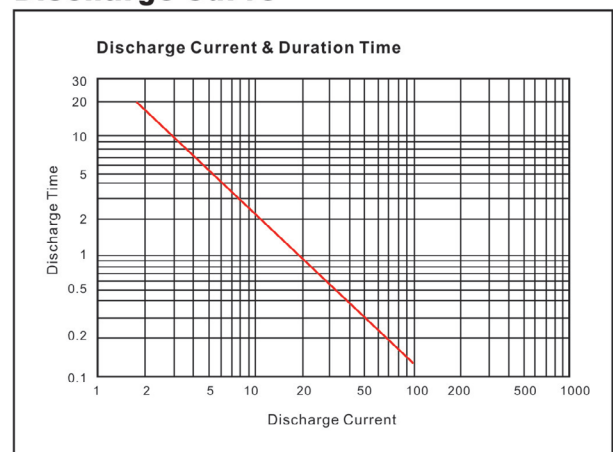
Date	Battery Packing	Inner Packing	Outer Packing
① Printing	① Polybag	Paper Box	Carton Packing
② Branded	② Shrink		
Carton Sealing		Accessories	
① Packing Strap		Bolts&nuts	Mini Charger
② Shrink		With	Optional

Parameter Chart:

Volts		12V	
Capacity(25°C)	20 hours rate (1.65A)	33.0Ah	
Discharge Current Testing (25°C)	20 I ₂₀ rate (33A, 27min)	38min	
	60 I ₂₀ rate(99A, 7min)	9min	
Internal Resistance	Full Charged Battery 25°C	9mΩ	
Capacity Affected By Temperature (20 hours rate)	40°C	102%	
	25°C	100%	
	0°C	85%	
Residual Capacity (25°C)	Capacity After 3 Months Storage	91%	
	Capacity After 6 Months Storage	82%	
	Capacity After 12 Months Storage	64%	
Cycle (Above 300 Time)	Discharge 2hrs at 8.25A Current Charge 6hrs at 3.3A Current (25°C)		
Charge (Constant Voltage)	Cycle (25°C)	Initial Charging Current Less Than 9.9A Voltage 14.5~14.9V	
	Float (25°C)	Charge Voltage 13.6~13.8V	
Weight (Approx)		10.78Kg	

★The above are average and date obtained from the first 3 charge/discharge cycles. These are not minimum values.

Discharge Curve





Constant Current Discharge (Amperes) at 25°C (77°F)												
F.V/Time	5min	10min	15min	30min	1Hr	2Hr	3Hr	4Hr	5Hr	6Hr	10Hr	20Hr
1.80V/cell	91.08	68.31	49.50	33.33	19.47	10.89	8.250	6.600	5.808	4.752	3.102	1.617
1.75V/cell	94.38	69.63	50.49	33.99	19.73	11.22	8.580	6.930	5.940	4.818	3.168	1.650
1.70V/cell	102.96	73.92	53.46	35.31	20.13	11.55	8.811	7.029	6.039	4.917	3.227	1.676
1.65V/cell	113.19	80.19	58.08	37.29	20.13	11.62	8.910	7.115	6.105	4.950	3.267	1.683
1.60V/cell	122.76	84.15	61.05	38.94	20.46	11.88	8.976	7.161	6.171	5.049	3.300	1.716

Constant Power Discharge (Watts/cell) at 25°C (77°F)												
F.V/Time	5min	10min	15min	30min	1Hr	2Hr	3Hr	4Hr	5Hr	6Hr	10Hr	20Hr
1.80V/cell	1193.15	878.33	703.89	418.57	240.19	130.11	96.169	79.483	66.330	55.723	37.046	19.404
1.75V/cell	1380.85	951.39	736.36	434.61	247.36	132.66	98.109	80.897	67.320	56.571	37.620	19.800
1.70V/cell	1467.18	985.84	758.93	444.51	251.84	134.92	99.000	82.311	67.696	57.703	37.818	19.899
1.65V/cell	1533.11	1009.40	776.36	450.65	254.85	136.34	99.713	83.160	67.934	58.269	37.897	19.939
1.60V/cell	1584.00	1029.60	792.00	455.40	257.40	137.75	100.267	84.009	68.112	58.834	37.897	19.939

Loading Info

Master Carton			Pallet			20 GP	
Pcs/Ctn	Size(mm)	N.W.(kg)	Size(mm)	Total CTNS	N.W.(T)	Pallet Qty	Battery Qty(pcs)
2 PCS	290*220*220	21.56	1.12*0.95	75	1.62	12	1800