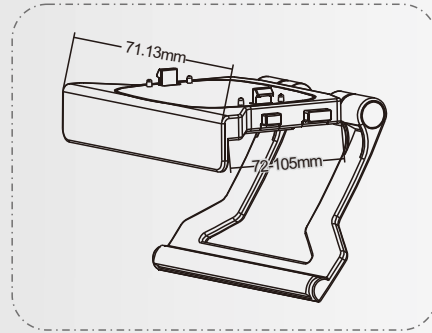


For XBOX 360 KINECT



Features:

- ① Clamp Holder for XBOX360 KINECT Sensor
- ② Easy access to assembly & disassembly

UCH0137



Dimensions: 39.5x19x26.5cm
G.W/N.W: 21/20KG