

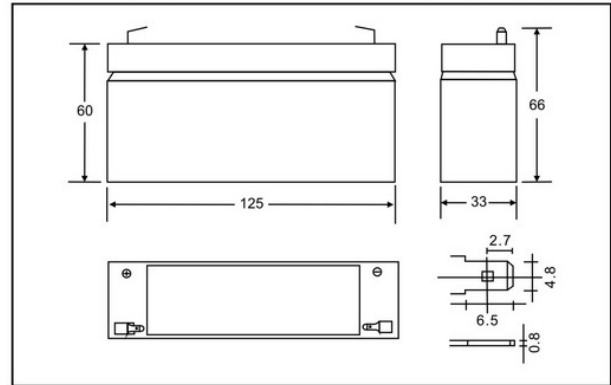


Akumulator żelowy VIPOW 6V 3.3Ah



Plane Chart:

Unit:(mm) Terminal type:(F1)



ISO9001
ISO140001
OHSAS18001

Characteristic:

1. 100% testing before out of factory, stable and reliable quality is guaranteed.
2. Professional alloy formula and advanced manufacturing techniques.
3. Completely sealed and maintenance free, low self-discharge.
4. Good charge-discharge acceptability.
5. Cyclic application: deep cycle charge-discharge for more than 260 times.
6. Floating application: for 3-5 years.

Application:

- Anti-theft system
- Radio transceiver
- Power system
- Railroad engine and railway communication
- Emergency lighting and lamps
- Electric tools
- Electronic instruments and other backup power
- Medical facilities
- UPS for banking system
- Computer backup power
- Marine system
- UPS for fire fighting system
- Toys

Parts:

Executed Standard:GB/T 19639.1-2005

Cover	Container Bottom	Terminal	Positive Plate	Negative Plate	Separator	Electrolyte	Safety Valve	Seal Glue
ABS	ABS	Copper	PbO ₂	Pb	AGM	dilute sulphuric acid	Rubber	Epoxy Resin

Packing

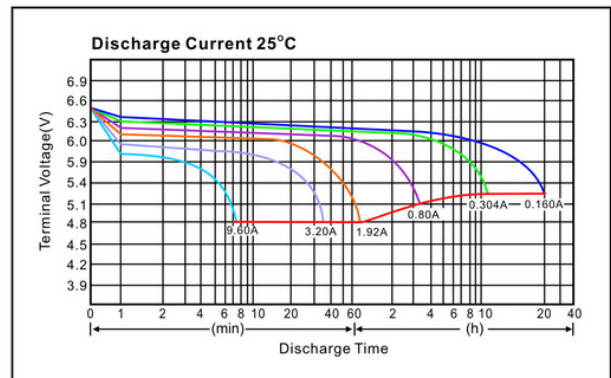
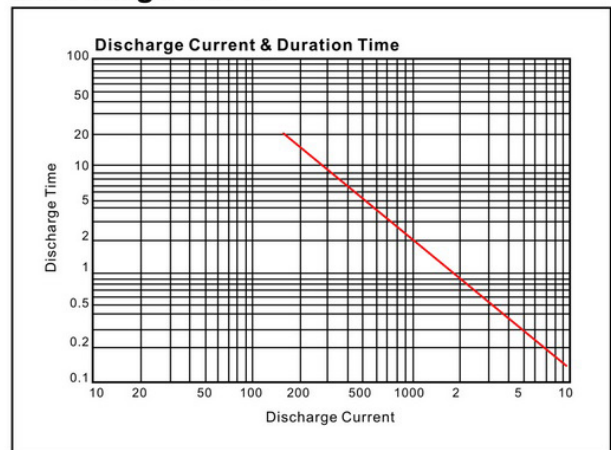
Date	Battery Packing	Inner Packing	Outer Packing
① Printing	① Polybag	Paper Box	Carton Packing
② Branded	② Shrink		
Carton Sealing		Accessories	
① Packing Strap		Bolts&nuts	Mini Charger
② Shrink		With	Optional

Parameter Chart:

Volts		6V	
Capacity(25°C)	20 hours rate (0.16A)	3.2Ah	
Discharge Current Testing (25°C)	20 I ₂₀ rate (3.2A, 27min)	35min	
	60 I ₆₀ rate (9.6A, 7min)	7.5min	
Internal Resistance	Full Charged Battery 25°C	30mΩ	
Capacity Affected By Temperature (20 hours rate)	40°C	102%	
	25°C	100%	
	0°C	85%	
	-15°C	62%	
Residual Capacity (25°C)	Capacity After 3 Months Storage	91%	
	Capacity After 6 Months Storage	82%	
	Capacity After 12 Months Storage	64%	
Cycle (Above 300 Time)	Discharge 2hrs at 0.8A Current Charge 6hrs at 0.32A Current (25°C)		
Charge (Constant Voltage)	Cycle (25°C)	Initial Charging Current Less Than 0.96A Voltage 7.25~7.45V	
	Float (25°C)	Charge Voltage 6.8~6.9V	
Weight (Approx)		0.67Kg	

★ The above are average and date obtained from the first 3 charge/discharge cycles. These are not minimum values.

Discharge Curve





Constant Current Discharge (Amperes) at 25°C (77°F)												
F.V/Time	5min	10min	15min	30min	1Hr	2Hr	3Hr	4Hr	5Hr	6Hr	10Hr	20Hr
1.80V/cell	8.83	6.62	4.80	3.23	1.89	1.06	0.800	0.640	0.563	0.461	0.301	0.157
1.75V/cell	9.15	6.75	4.90	3.30	1.91	1.09	0.832	0.672	0.576	0.467	0.307	0.160
1.70V/cell	9.98	7.17	5.18	3.42	1.95	1.12	0.854	0.682	0.586	0.477	0.313	0.163
1.65V/cell	10.98	7.78	5.63	3.62	1.95	1.13	0.864	0.690	0.592	0.480	0.317	0.163
1.60V/cell	11.90	8.16	5.92	3.78	1.98	1.15	0.870	0.694	0.598	0.490	0.320	0.166

Constant Power Discharge (Watts/cell) at 25°C (77°F)												
F.V/Time	5min	10min	15min	30min	1Hr	2Hr	3Hr	4Hr	5Hr	6Hr	10Hr	20Hr
1.80V/cell	57.85	42.59	34.13	20.29	11.65	6.31	4.663	3.854	3.216	2.702	1.796	0.941
1.75V/cell	66.95	46.13	35.70	21.07	11.99	6.43	4.757	3.922	3.264	2.743	1.824	0.960
1.70V/cell	71.14	47.80	36.80	21.55	12.21	6.54	4.800	3.991	3.282	2.798	1.834	0.965
1.65V/cell	74.33	48.94	37.64	21.85	12.36	6.61	4.835	4.032	3.294	2.825	1.837	0.967
1.60V/cell	76.80	49.92	38.40	22.08	12.48	6.68	4.861	4.073	3.302	2.853	1.837	0.967

Loading Info

Master Carton			Pallet			20 GP	
Pcs/Ctn	Size(mm)	N.W.(kg)	Size(mm)	Total CTNS	N.W.(T)	Pallet Qty	Battery Qty(pcs)
20 PCS	340*260*87	13.40					