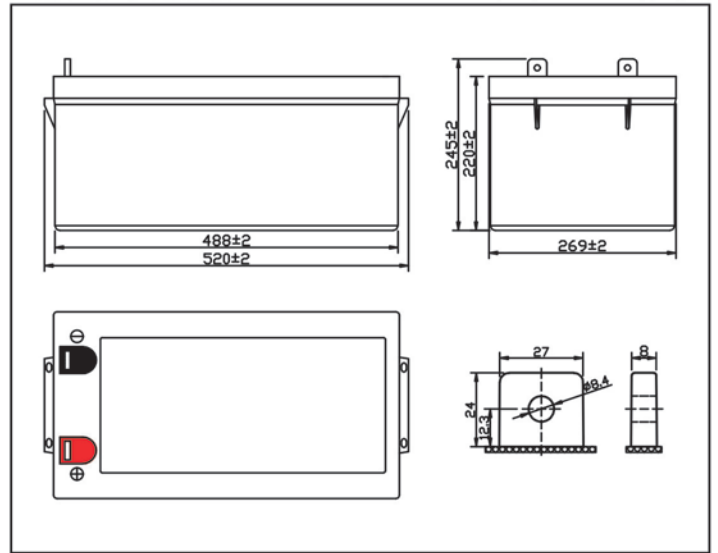


# MODEL: BAT0226



## Plane Chart:

Unit:(mm) Terminal type:(B7)



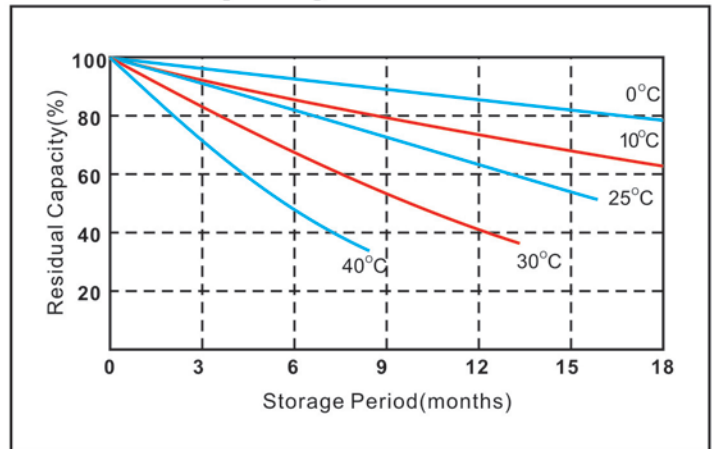
ISO 9001  
ISO 14001  
OHSAS18001



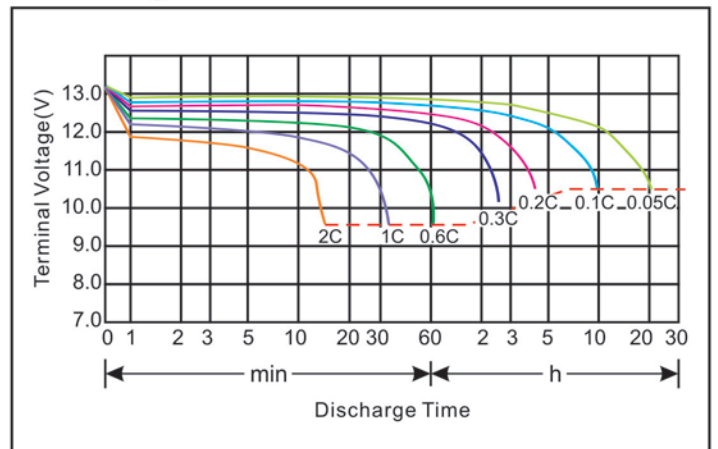
## Parameter Chart:

Volts		12V	
Capacity(25°C)	10 hours rate (25A)	250Ah	
Discharge Current Testing (25°C)	1 hours rate (137.5A)	138Ah	
	3 hours rate (62.5A)	188Ah	
Internal Resistance	Full Charged Battery 25°C	2.7mΩ	
Capacity Affected By Temperature	40°C	104%	
	25°C	100%	
	0°C	83%	
	-15°C	65%	
Residual Capacity (25°C)	Capacity After 3 Months Storage	91%	
	Capacity After 6 Months Storage	82%	
	Capacity After 12 Months Storage	65%	
Charge (Constant Voltage)	Cycle (25°C)	Initial Charging Current Less Than 75A Voltage 14.5~14.9V	
	Float (25°C)	Charge Voltage 13.6~13.8V	
Weight (Approx)		72.3Kg	

## Residual Capacity



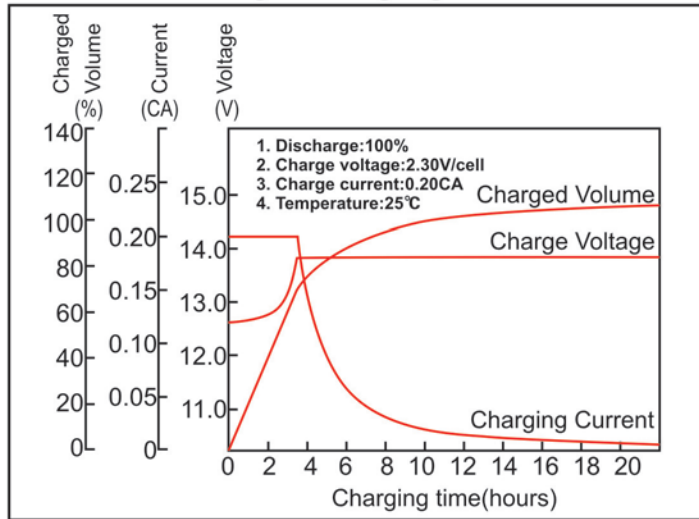
## Discharge Current 25°C



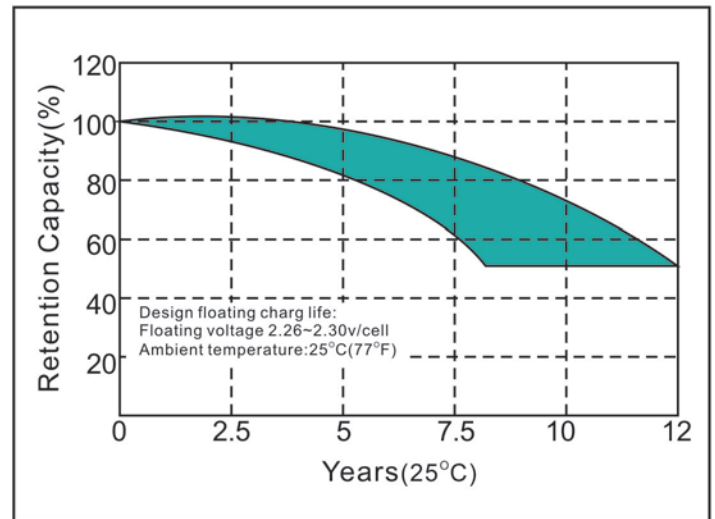
★The above are average and data obtained from the first 3 charge/discharge cycles. These are not minimum values.

# MODEL: BAT0226

## Constant voltage charging characteristics



## Float Life



## Constant Current Discharge Characteristics(A,25°C)

F.V/Time	15min	30min	60min	2h	3h	4h	5h	8h	10h	20h
9.60V	402.6	257.1	158.1	88.7	62.0	50.7	44.3	29.6	25.1	13.0
10.2V	386.1	246.4	151.4	87.3	61.1	50.1	43.7	29.3	25.1	12.9
10.5V	378.4	241.6	148.4	86.5	60.6	49.8	43.3	29.1	25.0	12.8
10.8V	366.7	234.8	144.6	85.6	59.9	48.2	42.8	29.1	25.0	12.8

## Constant Power Discharge Characteristic(Watt,25°C)

F.V/Time	15min	30min	60min	2h	3h	4h	5h	8h	10h	20h
9.60V	4421.2	2884.4	1802.6	1026.5	729.6	596.7	523.9	354.1	294.0	156.2
10.2V	4243.7	2769.0	1730.8	1010.9	718.9	588.9	516.1	351.2	293.2	154.3
10.5V	4154.4	2709.8	1692.0	1001.2	713.1	585.0	511.3	345.4	292.4	153.3
10.8V	4032.2	2631.2	1644.5	990.6	704.4	567.6	505.5	349.3	291.1	152.7

## Capacity Factors With Different Temperature

Battery Type		-20°C	-10°C	0°C	5°C	10°C	20°C	25°C	30°C	40°C	45°C
Battery	12V	50%	70%	83%	85%	90%	98%	100%	102%	104%	105%

★The above are average and data obtained from the first 3 charge/discharge cycles. These are not minimum values.