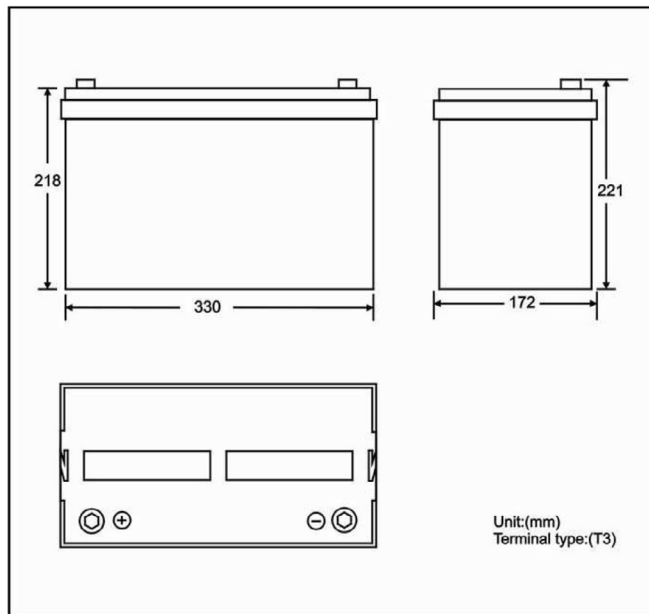




Akumulator żelowy VIPOW 12V 100Ah



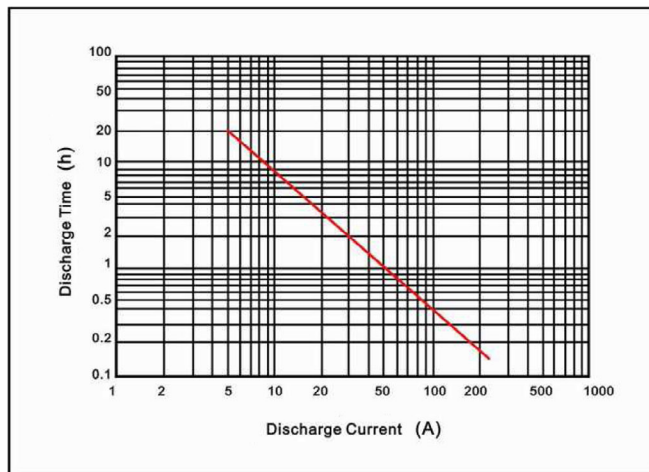
Specifications

LP100-12		
Nominal Voltage	12V	
Rated Capacity (20 hours rate)	100Ah	
Dimension (±2mm)	Total Height (with terminals)	221mm
	Length	330mm
	Width Height	172mm 218mm
Weight (Approx)	28.0Kg	

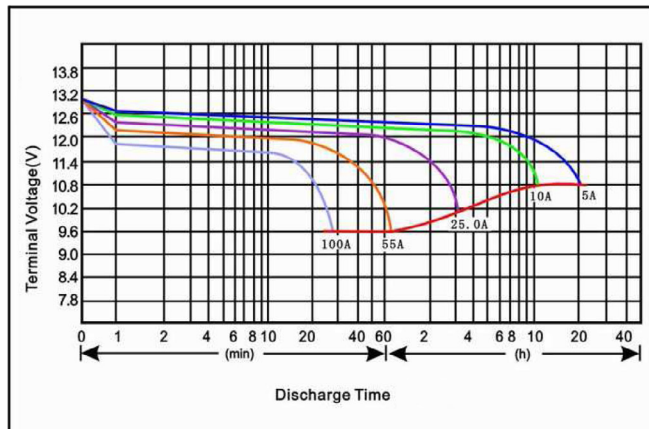
Characteristics

Capacity	20 hourS rate (5A) 3 hourS rate (25A) 1 hourS rate (55A)	100Ah 75Ah 58Ah
Internal Resistance	Full Charged Battery 25°C	3.5mΩ
Capacity Affected By Temperature (20 hours rate)	40°C 25°C 0°C -15°C	102% 100% 85% 62%
Residual Capacity (25°C)	Capacity After 3 Months Storage Capacity After 6 Months Storage Capacity After 12 Months Storage	91% 82% 64%
Float Service Life (Above 3 Years)	Voltage 13.6~13.8V/12V(25°C)	
Charge(constant Voltage 25°C)	Initial Charging Current Less Than 30A; Voltage 14.5~14.9V	

Discharge Current & Duration Time



Discharge Current 25°C



★ The above are average and date obtained from the first 3 charge/discharge cycles. These are not minimum values.