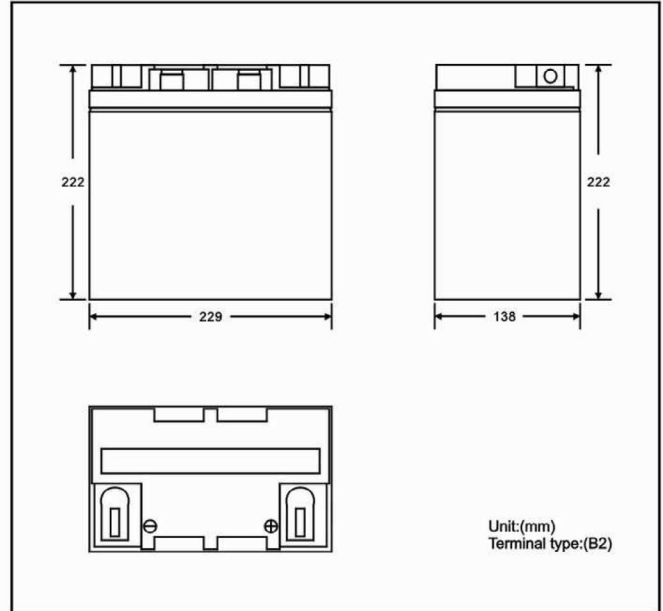




## Akumulator żelowy VIPOW 12V 55Ah



### Specifications

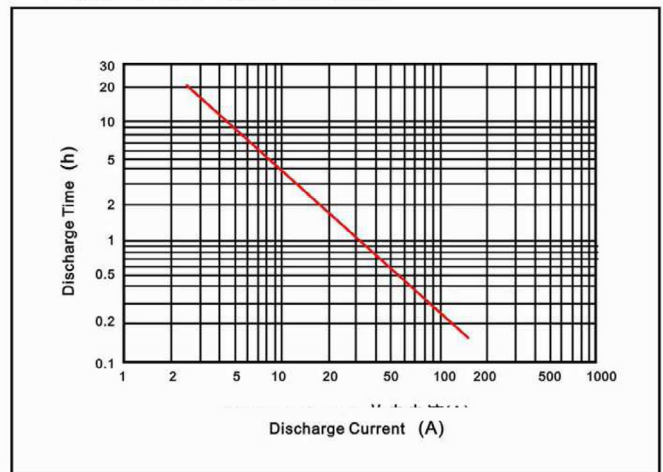
| LP55-12                        |                               |                |
|--------------------------------|-------------------------------|----------------|
| Nominal Voltage                | 12V                           |                |
| Rated Capacity (20 hours rate) | 55.0Ah                        |                |
| Dimension (±2mm)               | Total Height (with terminals) | 222mm          |
|                                | Length                        | 229mm          |
|                                | Width<br>Height               | 138mm<br>222mm |
| Weight (Approx)                | 16.37Kg                       |                |

### Characteristics

|  |  |   |
|--|--|---|
| Capacity   | 20 hours rate (2.75A)  | 55Ah  |
| Discharge Current Testing (25°C)                 | 20 I <sub>20</sub> rate (55A, 27min)<br>60 I <sub>20</sub> rate (16.5A, 7min)                          | 35min<br>8min   |
| Internal Resistance                              | Full Charged Battery 25°C  | 6mΩ   |
| Capacity Affected By Temperature (20 hours rate) | 40°C<br>25°C<br>0°C<br>-15°C   | 102%<br>100%<br>85%<br>62%                                      |
| Residual Capacity (25°C)                         | Capacity After 3 Months Storage<br>Capacity After 6 Months Storage<br>Capacity After 12 Months Storage | 91%<br>82%<br>64%   |
| Cycle (Above 300 Time)                           | Discharge 2hrs at 13.75A Current<br>Charge 6hrs at 5.5A Current (25°C)                                 |   |
| Charge (Constant Voltage)                        | Cycle (25°C)   | Initial Charging Current Less Than 16.5A;<br>Voltage 14.5~14.9V |
|  | Float (25°C)   | Charge Voltage 13.6~13.8V                                       |

★ The above are average and date obtained from the first 3 charge/discharge cycles. These are not minimum values.

### Discharge Current & Duration Time



### Discharge Current 25°C

