



Akumulator żelowy VIPOW 12V 40Ah



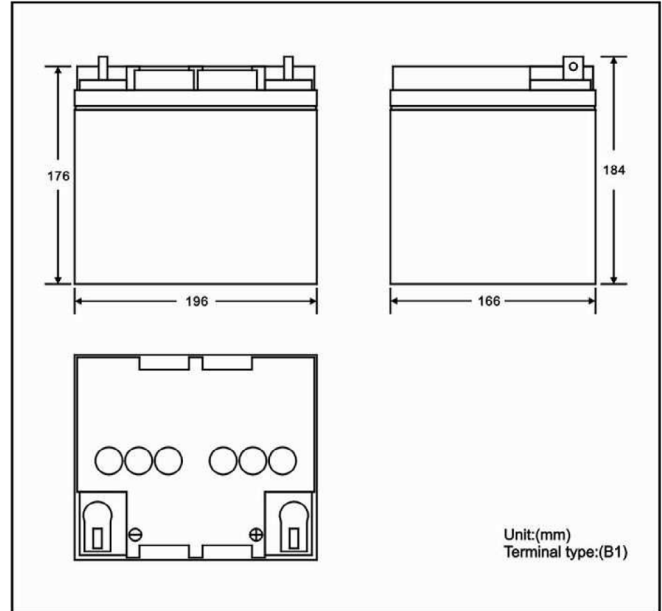
Specifications

LP40-12		
Nominal Voltage	12V	
Rated Capacity (20 hours rate)	40Ah	
Dimension (±2mm)	Total Height (with terminals)	184mm
	Length	196mm
	Width Height	166mm 176mm
Weight (Approx)	12.60Kg	

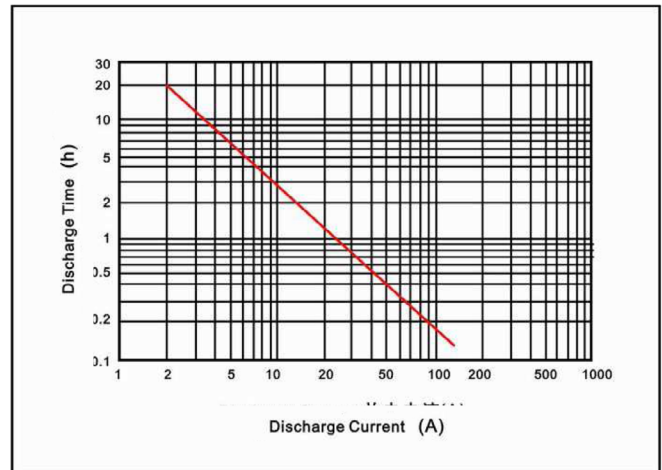
Characteristics

Capacity	20 hours rate (2.0A)	40.0Ah
Discharge Current Testing (25°C)	20 I ₂₀ rate (40A, 27min) 60 I ₂₀ rate (120A, 7min)	32min 7.5min
Internal Resistance	Full Charged Battery 25°C	8mΩ
Capacity Affected By Temperature (20 hours rate)	40°C 25°C 0°C -15°C	102% 100% 85% 62%
Residual Capacity (25°C)	Capacity After 3 Months Storage Capacity After 6 Months Storage Capacity After 12 Months Storage	91% 82% 64%
Cycle (Above 300 Time)	Discharge 2hrs at 10.0A Current Charge 6hrs at 4.0A Current (25°C)	
Charge (Constant Voltage)	Cycle (25°C)	Initial Charging Current Less Than 12.0A; Voltage 14.5~14.9V
	Float (25°C)	Charge Voltage 13.6~13.8V

★ The above are average and date obtained from the first 3 charge/discharge cycles. These are not minimum values.



Discharge Current & Duration Time



Discharge Current 25°C

