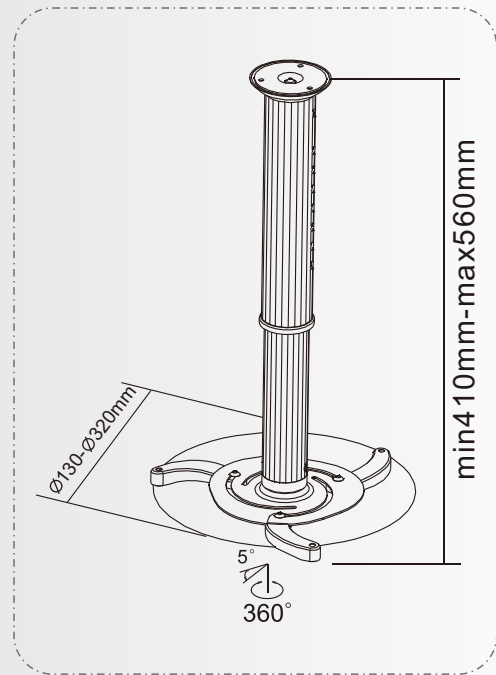


# Projector Brackets



**UCH0102**

## Features:

- ① Solid aluminum tubes present elegant look
- ② Available for  $-15^{\circ}$ - $+15^{\circ}$  tilt and  $360^{\circ}$  rotate
- ③ Adjustable height and installing diameter fits for more projectors
- ④ Cable management included for routing cables



**10pcs**  
**Carton**

Dimensions: 41.5x32x38cm  
G.W/N.W: 15/13KG