

LED5014-7

5.0mm ROUND BLUE LEDS

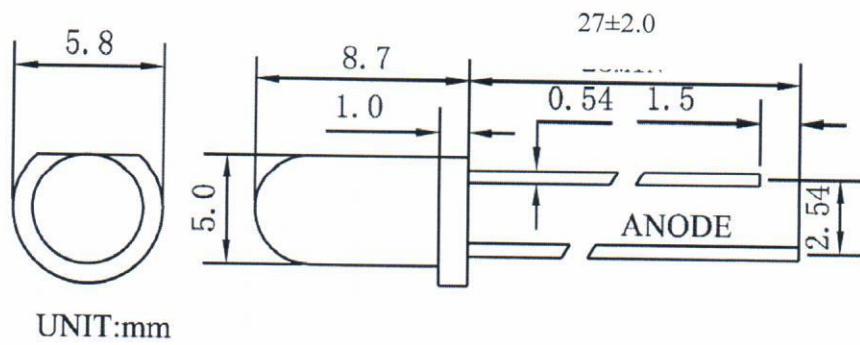
Absolute maximum ratings (Ta=25°C)

| | |
|--|-----------|
| Reverse Voltage----- | 5V |
| Forward Current----- | 20mA |
| Peak Forward Current----- | 150mA |
| Operating Temperature----- | -25~+85°C |
| Storage Temperature----- | -25~+85°C |
| Lead Soldering Temp (1.6mm From Body)---260°C For 3Sec | |

Electrical optical characteristics (Ta=25°C)

| TYP | Max(mcd) | | Forward Voltage IF=17mA(V) | | Reverse Current VR=5V(μA) | | VIEWING ANGLE |
|-----------|----------|------|-------------------------------|-----|------------------------------|-----|------------------|
| | Min | Typ | Min | Typ | Max | Typ | 2θ1/2(DEG) |
| LED5014-7 | 7000 | 8000 | 3.2 | 3.6 | <1 | 10 | 20 |

| TYPE NO | Chip | | Lens Color | Peak Wave Length λp(nm) | Spectra Half-Width Δλ(n m) |
|-----------|------------|----------------|---------------|-------------------------------|----------------------------------|
| | Material | Emitting Color | | | |
| LED5014-7 | GaASP/GaAS | BLUE | WATER CLEAR | 465-470 | 15 |



1. All dimensions are in millimeters(inches).
2. Protruded resin under flange is 1.5mm Max.