

<b>LED5012-7</b>	5.0mm ROUND GREEN LEDS
------------------	------------------------

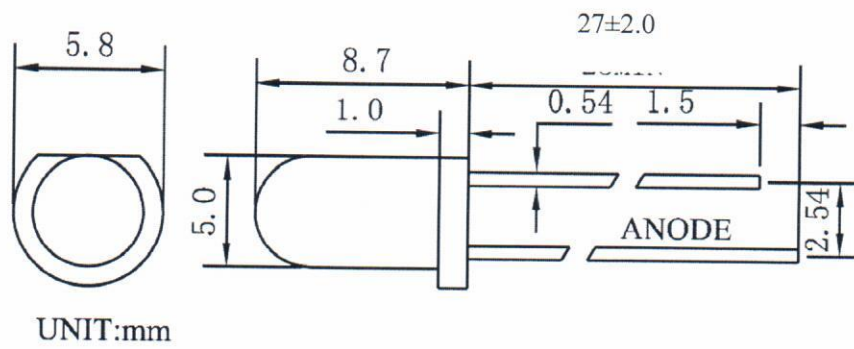
Absolute maximum ratings (Ta=25°C)

Reverse Voltage-----	5V
Forward Current-----	19mA
Peak Forward Current-----	150mA
Operating Temperature-----	-25~+85°C
Storage Temperature-----	-25~+85°C
Lead Soldering Temp (1.6mm From Body)--	260°C For 3Sec

Electrical optical characteristics (Ta=25°C)

TYP	Max(mcd)		Forward Voltage IF=20mA(V)		Reverse Current VR=5V(μA)		VIEWING ANGLE
	Min	Typ	Min	Max	Max	Typ	2θ1/2(DEG)
LED5012-7	6000	8000	3.0	3.6	<1	10	15

TYPE NO	Chip		Lens Color	Peak Wave Length λp(nm)	Spectra Half-Width Δλ(n m)
	Material	Emitting Color			
LED5012-7	GaASP/GaAS	GREEN	WATER CLEAR	520-525	15



1. All dimensions are in millimeters(inches).
2. Protruded resin under flange is 1.5mm Max.