

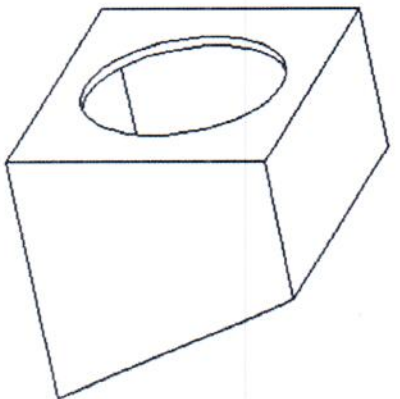
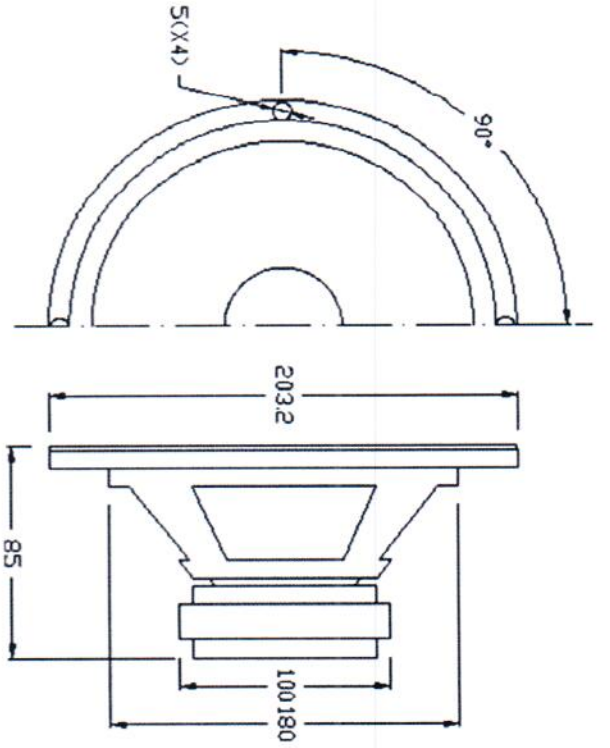


SPEAKER SPECIFICATIONS

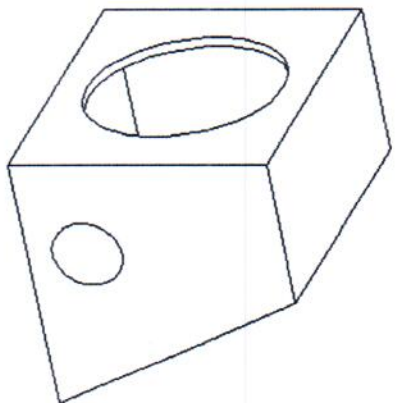
Model Number:	G8001-4	
GENERAL SPECIFICATIONS		
Nominal Diameter:	8 inch	
Rated Impedance:	4 ohms	
Operating Bandwidth:	45-6k hz (-3dB)	
Power Handling Capacity:	90 Watts	
Sensitivity (1W/M):	90 dB(+3dB)	
Voice Coil Diameter:	1 inch	
THIELE-SMALL PARAMETERS		
Resonance Frequency	Fs:	43.4 HZ
DC Resistance	Re:	3.6ohm
Mechanical Q Factor	Qms:	4, 61
Electrical Q Factor	Qes:	0, 75
Total Q Factor	Qts:	0, 64
Equivalent Gas air load	Vas:	43.77 L
Surface Area of Cone	Sd:	0.0139 m ²
Efficiency Bandwidth Product	EBP	57, 86
Voice Coil Over Hang	X-max	3 mm
PHYSICAL INFORMATION		
Basket:	Black Stamp Steel	
Magnet Type:	20 OZ	
Cone Material:	Paper	
Surround:	Foam	
Dust Cap:	Paper	
Damper:	cloth	

CH A Ohm Resolution 1/6 Octave Unsmoothed Delay [ms] 0.000 Dist Rise [dB] 30.00

CH A dB SPL 1/6 Octave 48kHz 10k Rectangular Start 0.00ms Stop 341.31ms Freq 0.293Hz Length 341.31ms



Sealed Box



Vented Box

Suggested enclosure parameters	Sealed		Vented	
	Small	Large	Small	Large
Enclosure volume, cu. ft.	0,7	NA	0,7	NA
Vent length, inches	-	-	6,0	-
Vent diameter, inches	-	-	2,7	-
Enclosure Frequency, Hz	75	-	-	-
Fb Tuning Frequency of Vented Enclosure, Hz	NA	-	50	-
F3 Systems 3dB Down Point(Sealed), Hz	58	-	-	-