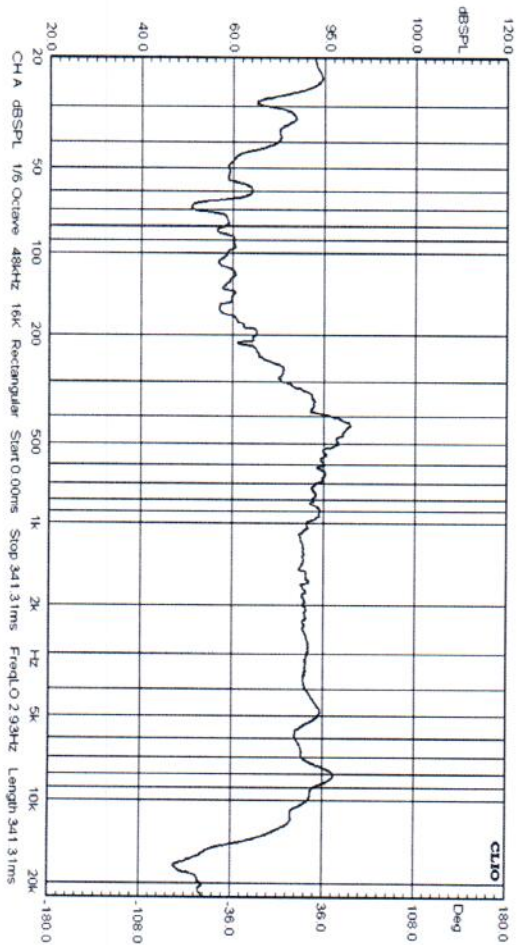
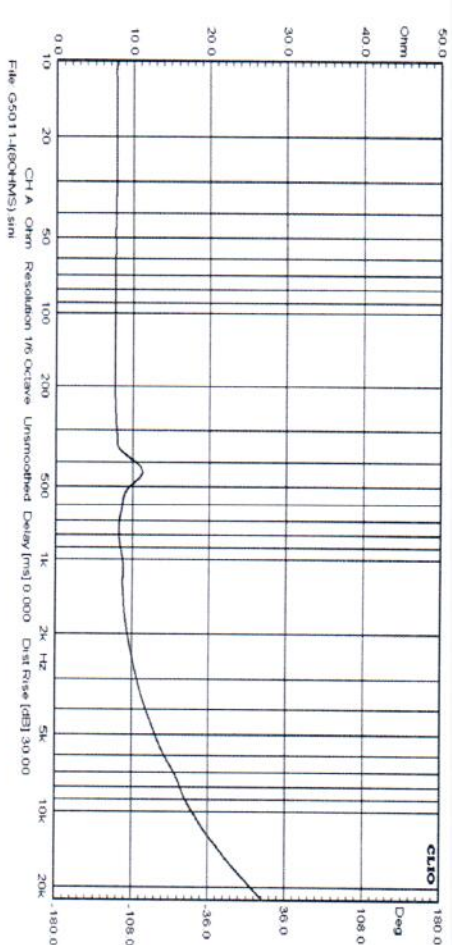
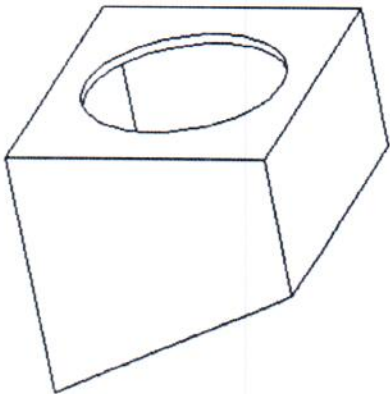
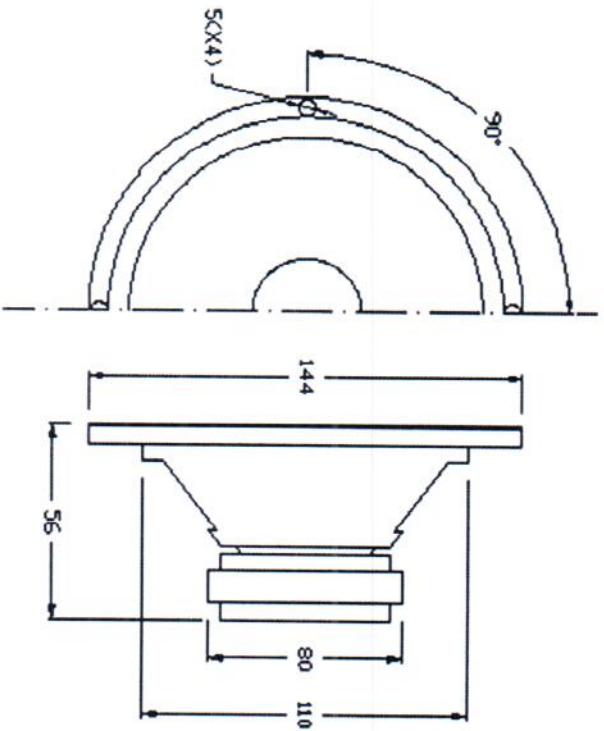




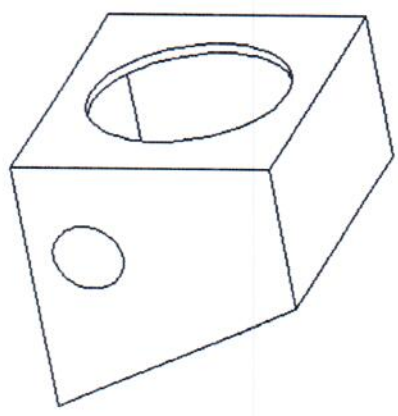
SPEAKER SPECIFICATIONS

Model Number:	G5001-8	
GENERAL SPECIFICATIONS		
Nominal Diameter:	5 inch	
Rated Impedance:	8 ohms	
Operating Bandwidth:	500-10k hz (-3dB)	
Power Handling Capacity:	40 Watts	
Sensitivity (1W/M):	90 dB(+3dB)	
Voice Coil Diameter:	1 inch	
THIELE-SMALL PARAMETERS		
Resonance Frequency	Fs:	-
DC Resistance	Re:	-
Mechanical Q Factor	Qms:	-
Electrical Q Factor	Qes:	-
Total Q Factor	Qts:	-
Equivalent Gas air load	Vas:	-
Surface Area of Cone	Sd:	-
Efficiency Bandwidth Product	EBP	-
Voice Coil Over Hang	X-max	1.5 mm
PHYSICAL INFORMATION		
Basket:	Black Stamp Steel	
Magnet Type:	10 OZ	
Cone Material:	Paper	
Surround:	Rubber	
Dust Cap:	pp	
Damper:	cloth	





Sealed Box



Vented Box

Suggested enclosure parameters	Sealed		Vented	
	Small	Large	Small	Large
Enclosure volume, cu. ft.	0, 25	NA	-	NA
Vent length, inches	-	-	-	-
Vent diameter, inches	-	-	-	-
Enclosure Frequency, Hz	800	-	-	-
Fb Tuning Frequency of Vented Enclosure, Hz	NA	-	-	-
F3 Systems 3dB Down Point (Sealed), Hz	-	-	-	-