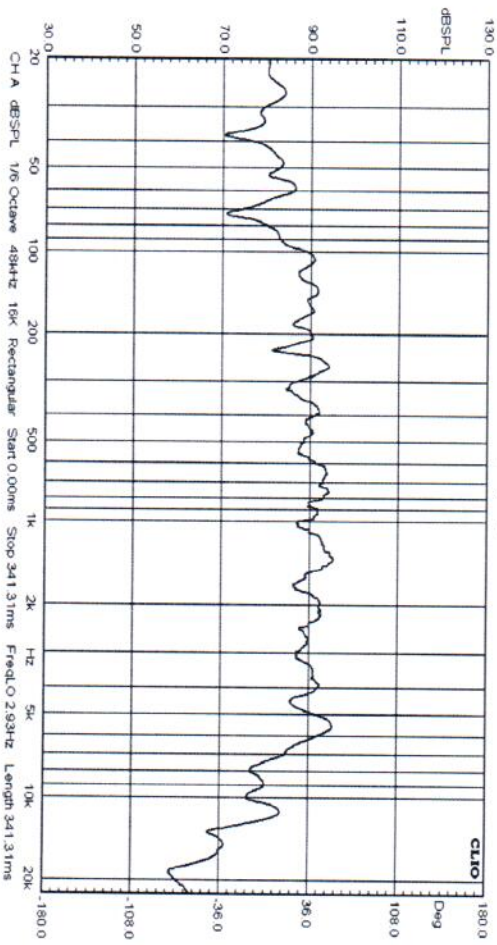
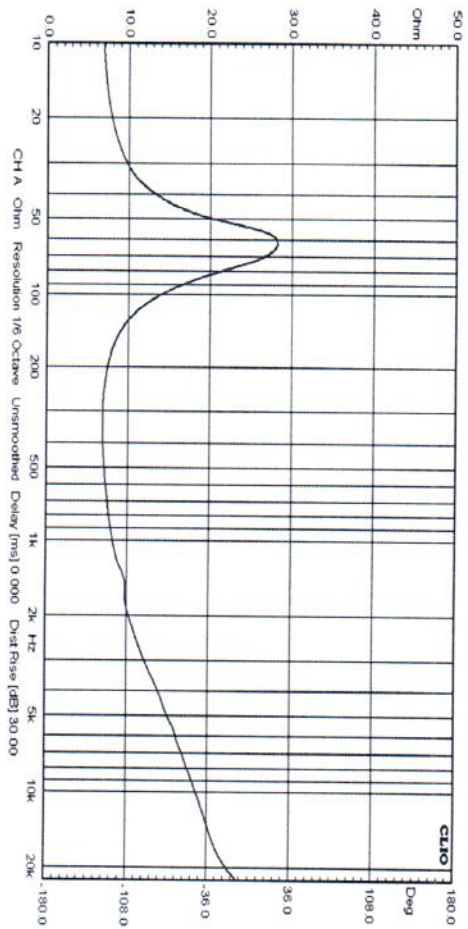
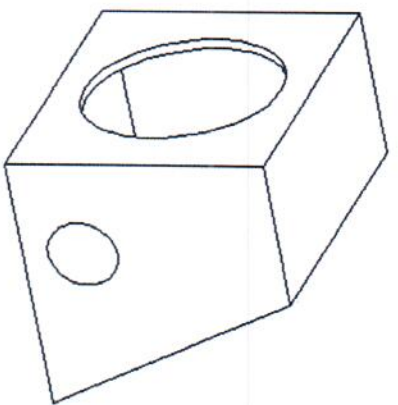
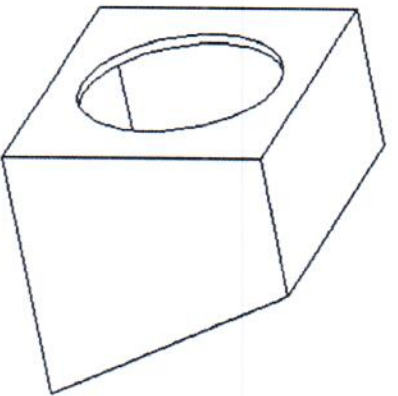
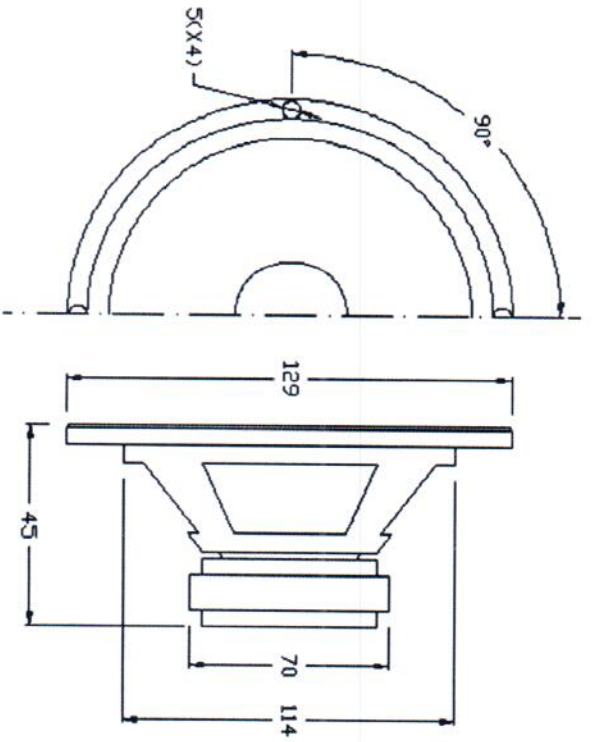




SPEAKER SPECIFICATIONS

Model Number:	G1301-4	
GENERAL SPECIFICATIONS		
Nominal Diameter:	5 inch	
Rated Impedance:	4 ohms	
Operating Bandwidth:	100-7k Hz (-3dB)	
Power Handling Capacity:	40 Watts	
Sensitivity (1W/M):	91 dB(+/-3dB)	
Voice Coil Diameter:	1 inch	
THIELE-SMALL PARAMETERS		
Resonance Frequency	Fs:	58.8 HZ
DC Resistance	Re:	3.4ohm
Mechanical Q Factor	Qms:	2, 09
Electrical Q Factor	Qes:	0, 5779
Total Q Factor	Qts:	0, 4529
Equivalent Gas air load	Vas:	8, 16 L
Surface Area of Cone	Sd:	0, 008 m ²
Efficiency Bandwidth Product	EBP	101, 7
Voice Coil Over Hang	X-max	3 mm
PHYSICAL INFORMATION		
Basket:	Black Stamp Steel	
Magnet Type:	8 OZ	
Cone Material:	Paper	
Surround:	Foam	
Dust Cap:	Mylar	
Damper:	cloth	





Sealed Box

Vented Box

Suggested enclosure parameters	Sealed		Vented	
	Small	Large	Small	Large
Enclosure volume, cu. ft.	0, 35	NA	0, 4	NA
Vent length, inches	-	-	4, 8	-
Vent diameter, inches	-	-	2, 0	-
Enclosure Frequency, Hz	90	-	-	-
Fb Tuning Frequency of Vented Enclosure, Hz	NA	-	60	-
F3 Systems 3dB Down Point (Sealed), Hz	67, 5	-	-	-