

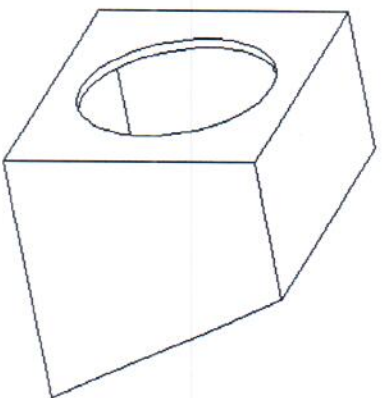
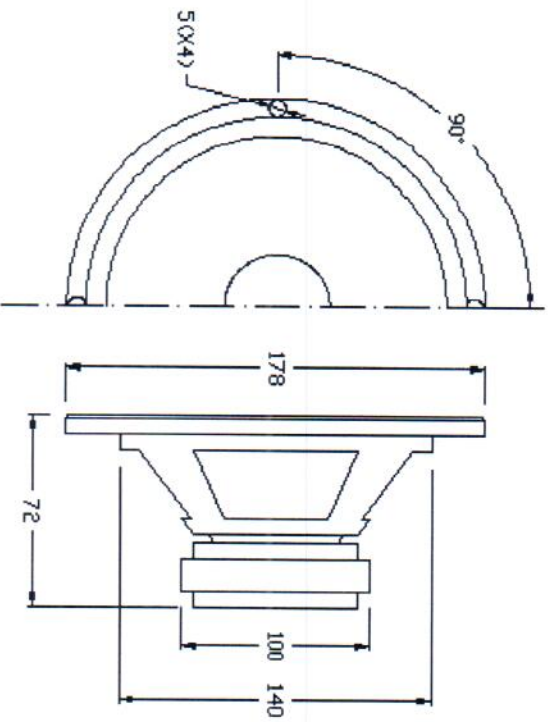


SPEAKER SPECIFICATIONS

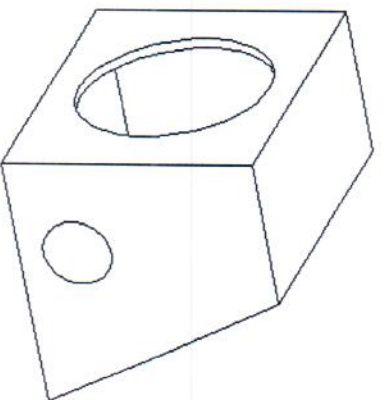
Model Number:	C6505-8	
GENERAL SPECIFICATIONS		
Nominal Diameter:	6.5 inch	
Rated Impedance:	8 ohms	
Operating Bandwidth:	50-6k Hz (-3dB)	
Power Handling Capacity:	125 Watts	
Sensitivity (1W/M):	90 dB (+-3dB)	
Voice Coil Diameter:	1 inch	
THIELE-SMALL PARAMETERS		
Resonance Frequency	Fs:	57.14 HZ
DC Resistance	Re:	7.2ohm
Mechanical Q Factor	Qms:	2, 24
Electrical Q Factor	Qes:	0, 96
Total Q Factor	Qts:	0, 67
Equivalent Gas air load	Vas:	20, 47 L
Surface Area of Cone	Sd:	0, 0139 m ²
Efficiency Bandwidth Product	EBP	59, 5
Voice Coil Over Hang	X-max	3 mm
PHYSICAL INFORMATION		
Basket:	Chrome Stamp Steel	
Magnet Type:	20 OZ	
Cone Material:	Injection PP	
Surround:	Rubber	
Dust Cap:	Injection PP	
Damper:	cloth	

CH A Ohm Resolution 1/6 Octave Unsmoothed Delay [ms] 0.000 Dist Rise [dB] 30.00

CH A dB SPL 1/6 Octave 48Hz-16k Rectangular Start 0.00ms Stop 341.31ms FreqLO 2.93Hz Length 341.31ms



Sealed Box



Vented Box

Suggested enclosure parameters	Sealed		Vented	
	Small	Large	Small	Large
Enclosure volume, cu. ft.	0, 5	NA	0, 5	NA
Vent length, inches	-	-	5, 5	-
Vent diameter, inches	-	-	2, 3	-
Enclosure Frequency, Hz	76	-	-	-
Fb Tuning Frequency of Vented Enclosure, Hz	NA	-	55	-
F3 Systems 3dB Down Point (Sealed), Hz	60	-	-	-