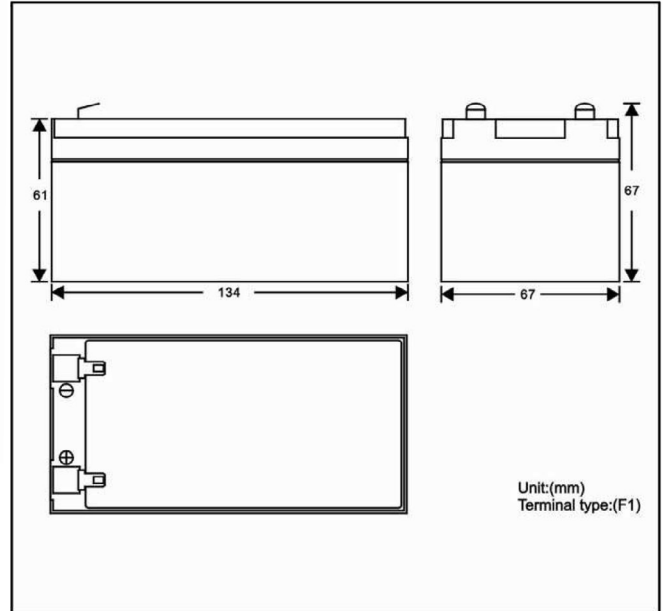




Akumulator żelowy VIPOW 12V 3.3Ah



Specifications

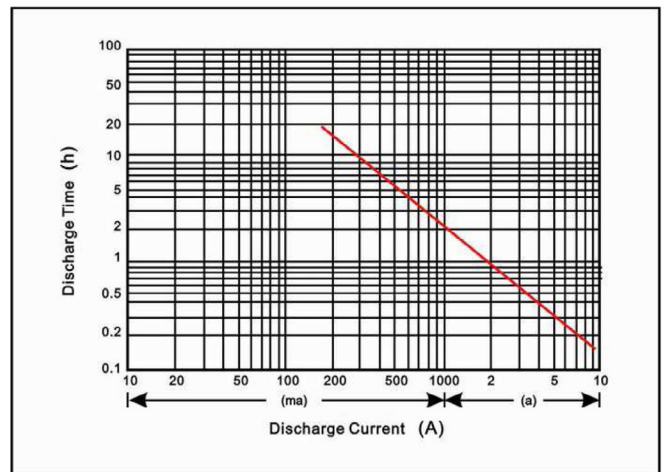
LP3.3-12		
Nominal Voltage	12V	
Rated Capacity (20 hours rate)	3.3Ah	
Dimension (±2mm)	Total Height (with terminals)	67mm
	Length	134mm
	Width Height	67mm 61mm
Weight (Approx)	1.37Kg	

Characteristics

Capacity	20 hours rate (0.165A)	3.3Ah
Discharge Current Testing (25°C)	20 I ₂₀ rate (3.3A, 27min) 60 I ₂₀ rate (9.9A, 7min)	35min 8.5min
Internal Resistance	Full Charged Battery 25°C	60mΩ
Capacity Affected By Temperature (20 hours rate)	40°C 25°C 0°C -15°C	102% 100% 85% 62%
Residual Capacity (25°C)	Capacity After 3 Months Storage Capacity After 6 Months Storage Capacity After 12 Months Storage	91% 82% 64%
Cycle (Above 300 Time)	Discharge 2hrs at 0.825A Current Charge 6hrs at 0.33A Current (25°C)	
Charge (Constant Voltage)	Cycle (25°C)	Initial Charging Current Less Than 0.99A; Voltage 14.5~14.9V
	Float (25°C)	Charge Voltage 13.6~13.8V

★ The above are average and date obtained from the first 3 charge/discharge cycles. These are not minimum values.

Discharge Current & Duration Time



Discharge Current 25°C

