



Akumulator żelowy VIPOW 12V 7.5Ah



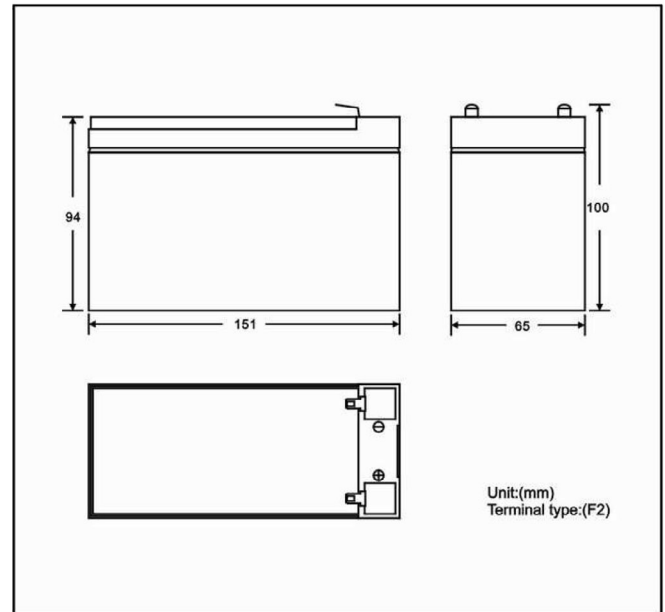
Specifications

LP7.5-12		
Nominal Voltage		12V
Rated Capacity (20 hours rate)		7.5Ah
Dimension (±2mm)	Total Height (with terminals)	100mm
	Length	151mm
	Width	65mm
Weight (Approx)		2.45Kg

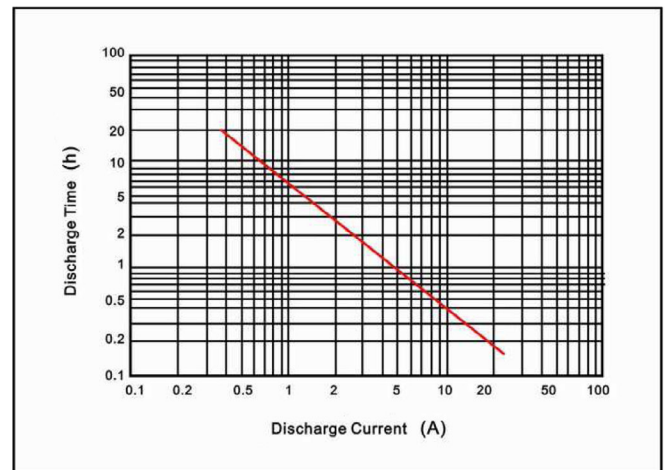
Characteristics

Capacity	20 hours rate (0.375A)	7.5Ah
Discharge Current Testing (25°C)	20 I ₂₀ rate (7.5A, 27min)	39min
	60 I ₂₀ rate (22.5A, 7min)	8.5min
Internal Resistance	Full Charged Battery 25°C	21mΩ
Capacity Affected By Temperature (20 hours rate)	40°C	102%
	25°C	100%
	0°C	85%
	-15°C	62%
Residual Capacity (25°C)	Capacity After 3 Months Storage	91%
	Capacity After 6 Months Storage	82%
	Capacity After 12 Months Storage	64%
Cycle (Above 300 Time)	Discharge 2hrs at 1.875A Current Charge 6hrs at 0.75A Current (25°C)	
Charge (Constant Voltage)	Cycle (25°C)	Initial Charging Current Less Than 2.25A; Voltage 14.5~14.9V
	Float (25°C)	Charge Voltage 13.6~13.8V

★ The above are average and data obtained from the first 3 charge/discharge cycles. These are not minimum values.



Discharge Current & Duration Time



Discharge Current 25°C

