

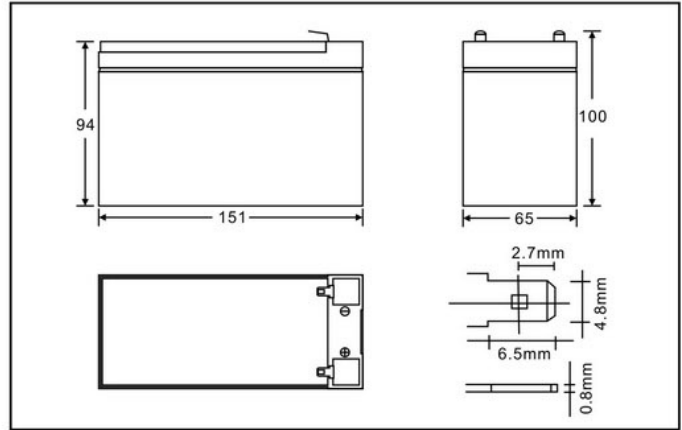


Akumulator żelowy VIPOW 12V 7.0Ah



Plane Chart:

Unit:(mm) Terminal type:(F1)



ISO9001
ISO140001
OHSAS18001

Characteristic:

1. 100% testing before out of factory, stable and reliable quality is guaranteed.
2. Professional alloy formula and advanced manufacturing techniques.
3. Completely sealed and maintenance free, low self-discharge.
4. Good charge-discharge acceptability.
5. Cyclic application: deep cycle charge-discharge for more than 260 times.
6. Floating application: for 3-5 years.

Application:

- Anti-theft system
- Radio transceiver
- Power system
- Railroad engine and railway communication
- Emergency lighting and lamps
- Electric tools
- Electronic instruments and other backup power
- Medical facilities
- UPS for banking system
- Computer backup power
- Marine system
- UPS for fire fighting system
- Toys

Parts:

Executed Standard:GB/T 19639.1-2005

| Cover | Container Bottom | Terminal | Positive Plate | Negative Plate | Separator | Electrolyte | Safety Valve | Seal Glue |
|-------|------------------|----------|------------------|----------------|-----------|-----------------------|--------------|-------------|
| ABS | ABS | Copper | PbO ₂ | Pb | AGM | dilute sulphuric acid | Rubber | Epoxy Resin |

Packing

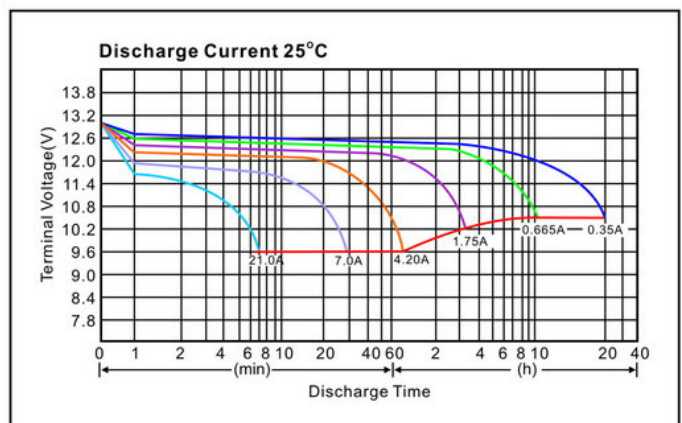
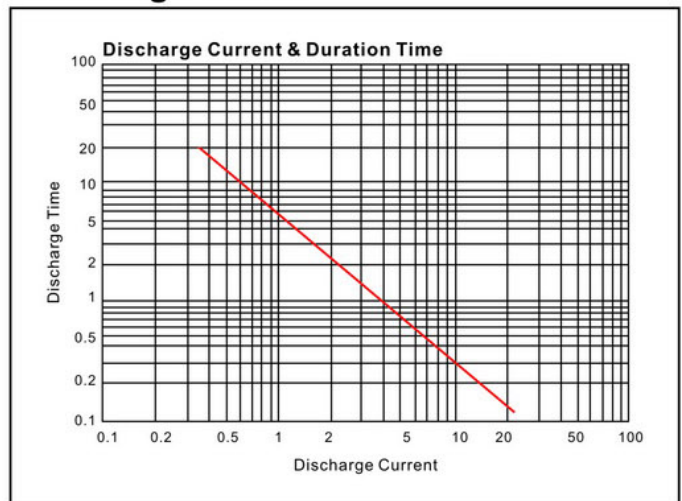
| Date | Battery Packing | Inner Packing | Outer Packing |
|-----------------|-----------------|---------------|----------------|
| ① Printing | ① Polybag | Paper Box | Carton Packing |
| ② Branded | ② Shrink | | |
| Carton Sealing | | Accessories | |
| ① Packing Strap | | Bolts&nuts | Mini Charger |
| ② Shrink | | With | Optional |

Parameter Chart:

| Volts | | 12V | |
|--|---|---|--|
| Capacity(25°C) | 20 hours rate (0.35A) | 7.0Ah | |
| Discharge Current Testing (25°C) | 20 I ₂₀ rate (7A, 27min) | 33min | |
| | 60 I ₂₀ rate(21A, 7min) | 7min | |
| Internal Resistance | Full Charged Battery 25°C | 25mΩ | |
| Capacity Affected By Temperature (20 hours rate) | 40°C | 102% | |
| | 25°C | 100% | |
| | 0°C | 85% | |
| | -15°C | 62% | |
| Residual Capacity (25°C) | Capacity After 3 Months Storage | 91% | |
| | Capacity After 6 Months Storage | 82% | |
| | Capacity After 12 Months Storage | 64% | |
| Cycle (Above 300 Time) | Discharge 2hrs at 1.75A Current Charge 6hrs at 0.7A Current (25°C) | | |
| Charge (Constant Voltage) | Cycle (25°C) | Initial Charging Current Less Than 2.1A Voltage 14.5~14.9V | |
| | Float (25°C) | Charge Voltage 13.6~13.8V | |
| Weight (Approx) | | 2.13Kg | |

★The above are average and date obtained from the first 3 charge/discharge cycles. These are not minimum values.

Discharge Curve





| Constant Current Discharge (Amperes) at 25°C (77°F) | | | | | | | | | | | | |
|---|-------|-------|-------|-------|------|------|-------|-------|-------|-------|-------|-------|
| F.V/Time | 5min | 10min | 15min | 30min | 1Hr | 2Hr | 3Hr | 4Hr | 5Hr | 6Hr | 10Hr | 20Hr |
| 1.80V/cell | 19.32 | 14.49 | 10.50 | 7.07 | 4.13 | 2.31 | 1.750 | 1.400 | 1.232 | 1.008 | 0.658 | 0.343 |
| 1.75V/cell | 20.02 | 14.77 | 10.71 | 7.21 | 4.19 | 2.38 | 1.820 | 1.470 | 1.260 | 1.022 | 0.672 | 0.350 |
| 1.70V/cell | 21.84 | 15.68 | 11.34 | 7.49 | 4.27 | 2.45 | 1.869 | 1.491 | 1.281 | 1.043 | 0.685 | 0.356 |
| 1.65V/cell | 24.01 | 17.01 | 12.32 | 7.91 | 4.27 | 2.46 | 1.890 | 1.509 | 1.295 | 1.050 | 0.693 | 0.357 |
| 1.60V/cell | 26.04 | 17.85 | 12.95 | 8.26 | 4.34 | 2.52 | 1.904 | 1.519 | 1.309 | 1.071 | 0.700 | 0.364 |

| Constant Power Discharge (Watts/cell) at 25°C (77°F) | | | | | | | | | | | | |
|--|--------|--------|--------|-------|-------|-------|--------|--------|--------|--------|-------|-------|
| F.V/Time | 5min | 10min | 15min | 30min | 1Hr | 2Hr | 3Hr | 4Hr | 5Hr | 6Hr | 10Hr | 20Hr |
| 1.80V/cell | 253.09 | 186.31 | 149.31 | 88.79 | 50.95 | 27.60 | 20.399 | 16.860 | 14.070 | 11.820 | 7.858 | 4.116 |
| 1.75V/cell | 292.91 | 201.81 | 156.20 | 92.19 | 52.47 | 28.14 | 20.811 | 17.160 | 14.280 | 12.000 | 7.980 | 4.200 |
| 1.70V/cell | 311.22 | 209.12 | 160.99 | 94.29 | 53.42 | 28.62 | 21.000 | 17.460 | 14.360 | 12.240 | 8.022 | 4.221 |
| 1.65V/cell | 325.21 | 214.12 | 164.68 | 95.59 | 54.06 | 28.92 | 21.151 | 17.640 | 14.410 | 12.360 | 8.039 | 4.229 |
| 1.60V/cell | 336.00 | 218.40 | 168.00 | 96.60 | 54.60 | 29.22 | 21.269 | 17.820 | 14.448 | 12.480 | 8.039 | 4.229 |

Loading Info

| Master Carton | | | Pallet | | | 20 GP | |
|---------------|-------------|----------|-----------|------------|---------|------------|------------------|
| Pcs/Ctn | Size(mm) | N.W.(kg) | Size(mm) | Total CTNS | N.W.(T) | Pallet Qty | Battery Qty(pcs) |
| 10 PCS | 340*310*128 | 21.30 | 1.12*1 | 72 | 1.53 | 10 | 7200 |
| | | | 1.12*0.75 | 66 | 1.41 | 2 | 1320 |