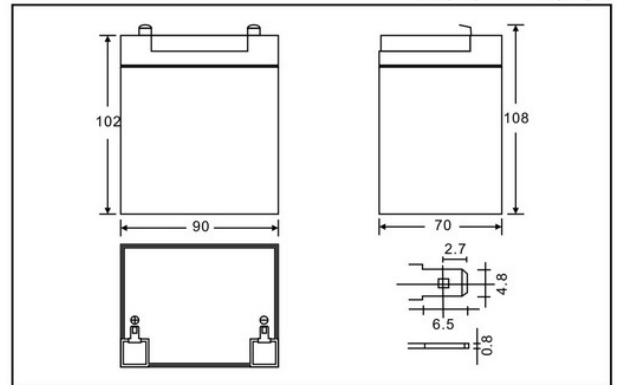




Akumulator żelowy VIPOW 12V 4.0Ah



Plane Chart:



ISO9001
ISO140001
OHSAS18001

Characteristic:

1. 100% testing before out of factory, stable and reliable quality is guaranteed.
2. Professional alloy formula and advanced manufacturing techniques.
3. Completely sealed and maintenance free, low self-discharge.
4. Good charge-discharge acceptability.
5. Cyclic application: deep cycle charge-discharge for more than 260 times.
6. Floating application: for 3-5 years.

Application:

- Anti-theft system
- Radio transceiver
- Power system
- Railroad engine and railway communication
- Emergency lighting and lamps
- Electric tools
- Electronic instruments and other backup power
- Medical facilities
- UPS for banking system
- Computer backup power
- Marine system
- UPS for fire fighting system
- Toys

Parts:

Executed Standard: GB/T 19639.1-2005

Cover	Container Bottom	Terminal	Positive Plate	Negative Plate	Separator	Electrolyte	Safety Valve	Seal Glue
ABS	ABS	Copper	PbO ₂	Pb	AGM	dilute sulphuric acid	Rubber	Epoxy Resin

Packing

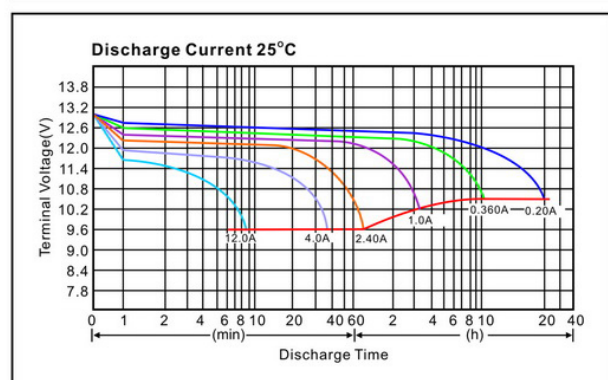
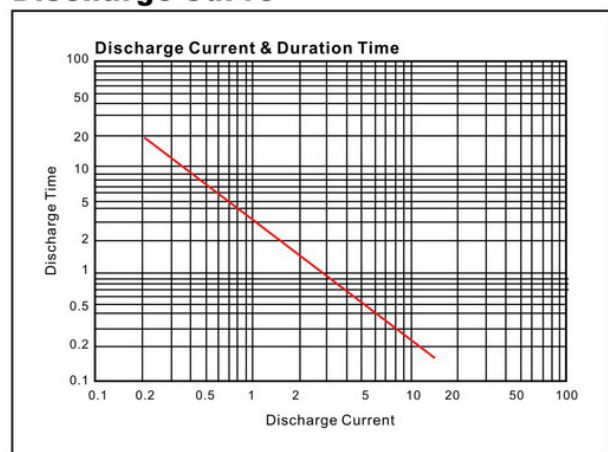
Date	Battery Packing	Inner Packing	Outer Packing
① Printing	① Polybag	Paper Box	Carton Packing
② Branded	② Shrink		
Carton Sealing		Accessories	
① Packing Strap		Bolts&nuts	Mini Charger
② Shrink		With	Optional

Parameter Chart:

Volts	12V	
Capacity(25°C)	20 hours rate (0.2A)	4Ah
Discharge Current Testing (25°C)	20 I ₂₀ rate (4A, 27min)	35min
	60 I ₂₀ rate (12A, 7min)	8min
Internal Resistance	Full Charged Battery 25°C	
Capacity Affected By Temperature (20 hours rate)	40°C	102%
	25°C	100%
	0°C	85%
	-15°C	62%
Residual Capacity (25°C)	Capacity After 3 Months Storage	91%
	Capacity After 6 Months Storage	82%
	Capacity After 12 Months Storage	64%
Cycle (Above 300 Time)	Discharge 2hrs at 1.0A Current Charge 6hrs at 0.4A Current (25°C)	
Charge (Constant Voltage)	Cycle (25°C)	Initial Charging Current Less Than 1.2A Voltage 14.5~14.9V
	Float (25°C)	Charge Voltage 13.6~13.8V
Weight (Approx)		1.45Kg

*The above are average and date obtained from the first 3 charge/discharge cycles. These are not minimum values.

Discharge Curve





Constant Current Discharge (Amperes) at 25°C (77°F)												
F.V/Time	5min	10min	15min	30min	1Hr	2Hr	3Hr	4Hr	5Hr	6Hr	10Hr	20Hr
1.80V/cell	11.04	8.28	6.00	4.04	2.36	1.32	1.000	0.800	0.704	0.576	0.376	0.196
1.75V/cell	11.44	8.44	6.12	4.12	2.39	1.36	1.040	0.840	0.720	0.584	0.384	0.200
1.70V/cell	12.48	8.96	6.48	4.28	2.44	1.40	1.068	0.852	0.732	0.596	0.391	0.203
1.65V/cell	13.72	9.72	7.04	4.52	2.44	1.41	1.080	0.862	0.740	0.600	0.396	0.204
1.60V/cell	14.88	10.20	7.40	4.72	2.48	1.44	1.088	0.868	0.748	0.612	0.400	0.208

Constant Power Discharge (Watts/cell) at 25°C (77°F)												
F.V/Time	5min	10min	15min	30min	1Hr	2Hr	3Hr	4Hr	5Hr	6Hr	10Hr	20Hr
1.80V/cell	144.62	106.46	85.32	50.74	29.11	15.77	11.657	9.634	8.040	6.754	4.490	2.352
1.75V/cell	167.38	115.32	89.26	52.68	29.98	16.08	11.892	9.806	8.160	6.857	4.560	2.400
1.70V/cell	177.84	119.50	91.99	53.88	30.53	16.35	12.000	9.977	8.206	6.994	4.584	2.412
1.65V/cell	185.83	122.35	94.10	54.62	30.89	16.53	12.086	10.080	8.234	7.063	4.594	2.417
1.60V/cell	192.00	124.80	96.00	55.20	31.20	16.70	12.154	10.183	8.256	7.131	4.594	2.471

Loading Info

Master Carton			Pallet			20 GP	
Pcs/Ctn	Size(mm)	N.W.(kg)	Size(mm)	Total CTNS	N.W.(T)	Pallet Qty	Battery Qty(pcs)
10 PCS	360*190*133	14.50					