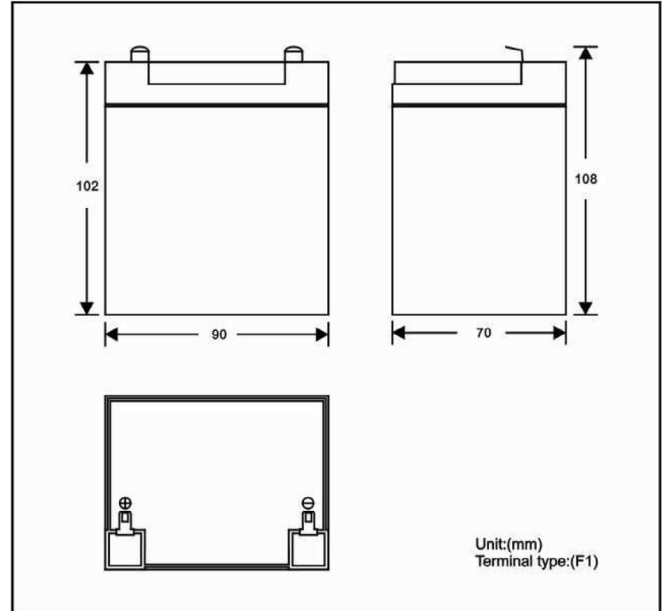




Akumulator żelowy VIPOW 12V 4.0Ah



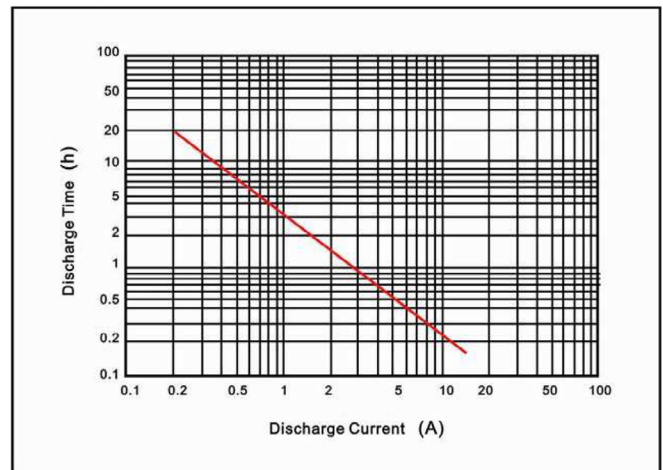
Specifications

| LP4-12 | | |
|--------------------------------|-------------------------------|---------------|
| Nominal Voltage | 12V | |
| Rated Capacity (20 hours rate) | 4Ah | |
| Dimension (±2mm) | Total Height (with terminals) | 108mm |
| | Length | 90mm |
| | Width Height | 70mm 102mm |
| Weight (Approx) | 1.45Kg | |

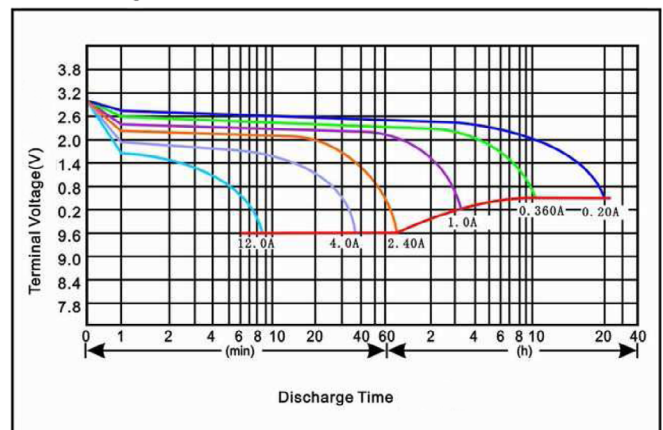
Characteristics

| | | |
|--|--|--|
| Capacity | 20 hours rate (0.2A) | 4Ah |
| Discharge Current Testing (25°C) | 20 I ₂₀ rate (4A, 27min) | 35min |
| | 60 I ₂₀ rate (12A, 7min) | 8min |
| Internal Resistance | Full Charged Battery 25°C | 45mΩ |
| Capacity Affected By Temperature (20 hours rate) | 40°C | 102% |
| | 25°C | 100% |
| | 0°C | 85% |
| | -15°C | 62% |
| Residual Capacity (25°C) | Capacity After 3 Months Storage | 91% |
| | Capacity After 6 Months Storage | 82% |
| | Capacity After 12 Months Storage | 64% |
| Cycle (Above 300 Time) | Discharge 2hrs at 1.0A Current Charge 6hrs at 0.4A Current (25°C) | |
| Charge (Constant Voltage) | Cycle (25°C) | Initial Charging Current Less Than 1.2A; Voltage 14.5~14.9V |
| | Float (25°C) | Charge Voltage 13.6~13.8V |

Discharge Current & Duration Time



Discharge Current 25°C



★ The above are average and data obtained from the first 3 charge/discharge cycles. These are not minimum values.