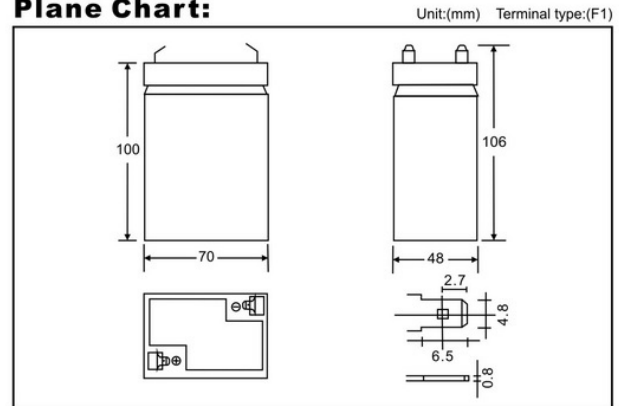




Akumulator żelowy VIPOW 6V 4Ah (uniw.)



Plane Chart:



ISO9001
ISO140001
OHSAS18001

Characteristic:

1. 100% testing before out of factory, stable and reliable quality is guaranteed.
2. Professional alloy formula and advanced manufacturing techniques.
3. Completely sealed and maintenance free, low self-discharge.
4. Good charge-discharge acceptability.
5. Cyclic application: deep cycle charge-discharge for more than 260 times.
6. Floating application: for 3-5 years.

Application:

- Anti-theft system
- Radio transceiver
- Power system
- Railroad engine and railway communication
- Emergency lighting and lamps
- Electric tools
- Electronic instruments and other backup power
- Medical facilities
- UPS for banking system
- Computer backup power
- Marine system
- UPS for fire fighting system
- Toys

Parts:

Executed Standard:GB/T 19639.1-2005

Cover	Container Bottom	Terminal	Positive Plate	Negative Plate	Separator	Electrolyte	Safety Valve	Seal Glue
ABS	ABS	Copper	PbO ₂	Pb	AGM	dilute sulphuric acid	Rubber	Epoxy Resin

Packing

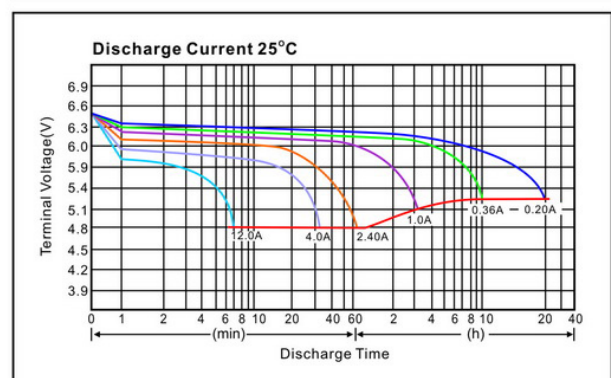
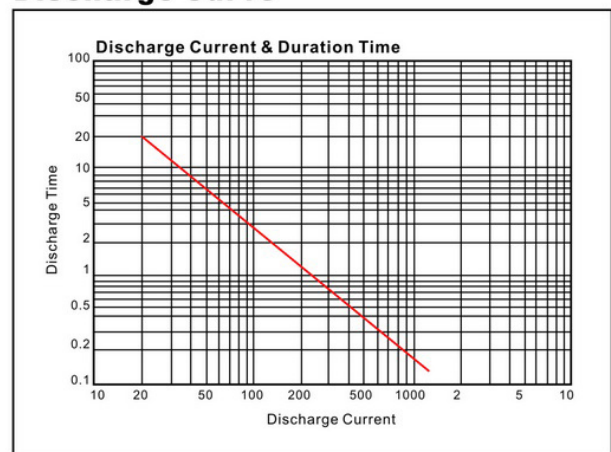
Date	Battery Packing	Inner Packing	Outer Packing
① Printing	① Polybag	Paper Box	Carton Packing
② Branded	② Shrink		
Carton Sealing		Accessories	
① Packing Strap	Bolts&nuts	Mini Charger	
② Shrink	With	Optional	

Parameter Chart:

Volts		6V	
Capacity(25°C)	20 hours rate (0.2A)	4Ah	
Discharge Current Testing (25°C)	20 I ₂₀ rate (4A, 27min)	30min	
	60 I ₃₀ rate (12A, 7min)	7min	
Internal Resistance	Full Charged Battery 25°C	28mΩ	
Capacity Affected By Temperature (20 hours rate)	40°C	102%	
	25°C	100%	
	0°C	85%	
	-15°C	62%	
Residual Capacity (25°C)	Capacity After 3 Months Storage	91%	
	Capacity After 6 Months Storage	82%	
	Capacity After 12 Months Storage	64%	
Cycle (Above 300 Time)	Discharge 2hrs at 1.0A Current Charge 6hrs at 0.4A Current (25°C)		
Charge (Constant Voltage)	Cycle (25°C)	Initial Charging Current Less Than 1.2A Voltage 7.25~7.45V	
	Float (25°C)	Charge Voltage 6.8~6.9V	
Weight (Approx)		0.66Kg	

★The above are average and date obtained from the first 3 charge/discharge cycles. These are not minimum values.

Discharge Curve





Constant Current Discharge (Amperes) at 25°C (77°F)												
F.V/Time	5min	10min	15min	30min	1Hr	2Hr	3Hr	4Hr	5Hr	6Hr	10Hr	20Hr
1.80V/cell	11.04	8.28	6.00	4.04	2.36	1.32	1.000	0.800	0.704	0.576	0.376	0.196
1.75V/cell	11.44	8.44	6.12	4.12	2.39	1.36	1.040	0.840	0.720	0.584	0.384	0.200
1.70V/cell	12.48	8.96	6.48	4.28	2.44	1.40	1.068	0.852	0.732	0.596	0.391	0.203
1.65V/cell	13.72	9.72	7.04	4.52	2.44	1.41	1.080	0.862	0.740	0.600	0.396	0.204
1.60V/cell	14.88	10.20	7.40	4.72	2.48	1.44	1.088	0.868	0.748	0.612	0.400	0.208

Constant Power Discharge (Watts/cell) at 25°C (77°F)												
F.V/Time	5min	10min	15min	30min	1Hr	2Hr	3Hr	4Hr	5Hr	6Hr	10Hr	20Hr
1.80V/cell	72.31	53.23	42.66	25.37	14.56	7.89	5.828	4.817	4.020	3.377	2.245	1.176
1.75V/cell	83.69	57.66	44.63	26.34	14.99	8.04	5.946	4.903	4.080	3.429	2.280	1.200
1.70V/cell	88.92	59.75	46.00	26.94	15.26	8.18	6.000	4.989	4.103	3.497	2.292	1.206
1.65V/cell	92.92	61.18	47.05	27.31	15.45	8.26	6.043	5.040	4.117	3.531	2.297	1.208
1.60V/cell	96.00	62.40	48.00	27.60	15.60	8.35	6.077	5.091	4.128	3.566	2.297	1.208

Loading Info

Master Carton			Pallet			20 GP	
Pcs/Ctn	Size(mm)	N.W.(kg)	Size(mm)	Total CTNS	N.W.(T)	Pallet Qty	Battery Qty(pcs)
20 PCS	295*245*136	13.20					