



Akumulator żelowy VIPOW 6V 4Ah (uniw.)



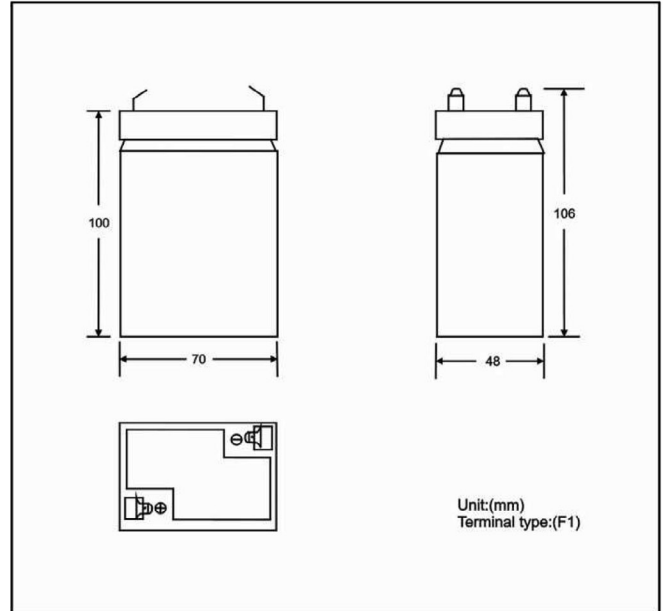
Specifications

LP4-6(uniw.)		
Nominal Voltage		6V
Rated Capacity (20 hours rate)		4.0Ah
Dimension (±2mm)	Total Height (with terminals)	106mm
	Length	70mm
	Width Height	48mm 100mm
Weight (Approx)		0.72Kg

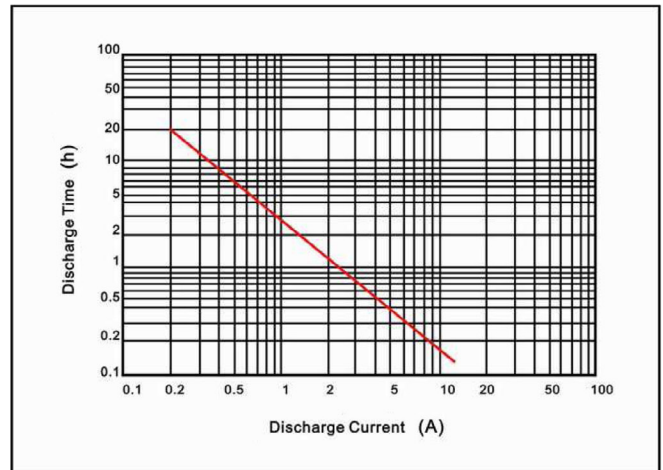
Characteristics

Capacity		20 hours rate (0.2A)	4Ah
Discharge Current Testing (25°C)		20 I ₂₀ rate (4A, 27min) 60 I ₂₀ rate (12A, 7min)	32min 7min
Internal Resistance		Full Charged Battery 25°C	26mΩ
Capacity Affected By Temperature (20 hours rate)		40°C 25°C 0°C -15°C	102% 100% 85% 62%
Residual Capacity (25°C)		Capacity After 3 Months Storage Capacity After 6 Months Storage Capacity After 12 Months Storage	91% 82% 64%
Cycle (Above 300 Time)		Discharge 2hrs at 1.0A Current Charge 6hrs at 0.4A Current (25°C)	
Charge (Constant Voltage)	Cycle (25°C)	Initial Charging Current Less Than 1.2A; Voltage 7.25~7.45V	
	Float (25°C)	Charge Voltage 6.8~6.9V	

★ The above are average and date obtained from the first 3 charge/discharge cycles. These are not minimum values.



Discharge Current & Duration Time



Discharge Current 25°C

