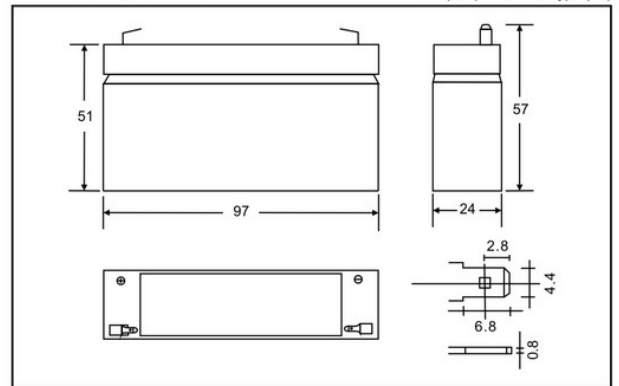




## Akumulator żelowy VIPOW 6V 1.3Ah



### Plane Chart:



ISO9001  
ISO14001  
OHSAS18001

### Characteristic:

- 100% testing before out of factory, stable and reliable quality is guaranteed.
- Professional alloy formula and advanced manufacturing techniques.
- Completely sealed and maintenance free, low self-discharge.
- Good charge-discharge acceptability.
- Cyclic application: deep cycle charge-discharge for more than 260 times.
- Floating application: for 3-5 years.

### Application:

- Anti-theft system
- Radio transceiver
- Power system
- Railroad engine and railway communication
- Emergency lighting and lamps
- Electric tools
- Electronic instruments and other backup power
- Medical facilities
- UPS for banking system
- Computer backup power
- Railroad engine and railway communication
- Marine system
- UPS for fire fighting system
- Toys

### Parts:

Executed Standard:GB/T 19639.1-2005

Cover	Container Bottom	Terminal	Positive Plate	Negative Plate	Separator	Electrolyte	Safety Valve	Seal Glue
ABS	ABS	Copper	PbO <sub>2</sub>	Pb	AGM	dilute sulphuric acid	Rubber	Epoxy Resin

### Packing

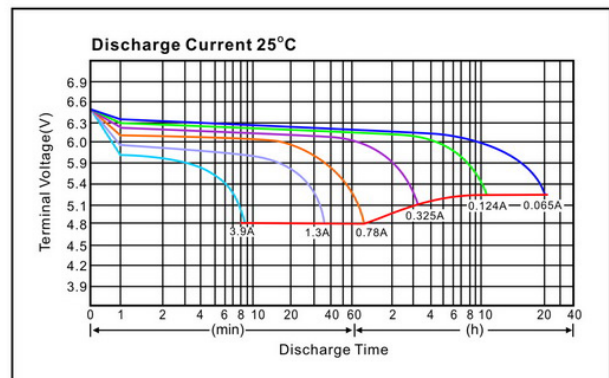
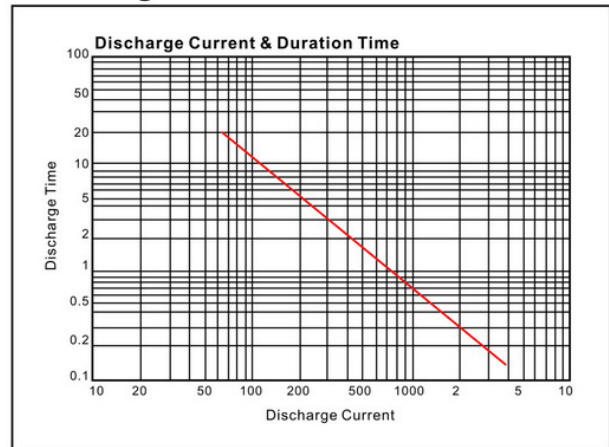
Date	Battery Packing	Inner Packing	Outer Packing
① Printing	① Polybag	Paper Box	Carton Packing
② Branded	② Shrink		
Carton Sealing		Accessories	
① Packing Strap		Bolts&nuts	Mini Charger
② Shrink		With	Optional

### Parameter Chart:

Volts		6V	
Capacity(25°C)	20 hours rate (0.065A)	1.3Ah	
Discharge Current Testing (25°C)	20 I <sub>20</sub> rate (1.3A, 27min)	36min	
	60 I <sub>20</sub> rate(3.9A, 7min)	8.5min	
Internal Resistance	Full Charged Battery 25°C	65mΩ	
Capacity Affected By Temperature (20 hours rate)	40°C	102%	
	25°C	100%	
	0°C	85%	
	-15°C	62%	
Residual Capacity (25°C)	Capacity After 3 Months Storage	91%	
	Capacity After 6 Months Storage	82%	
	Capacity After 12 Months Storage	64%	
Cycle (Above 300 Time)	Discharge 2hrs at 0.325A Current Charge 6hrs at 0.13A Current (25°C)		
Charge (Constant Voltage)	Cycle (25°C)	Initial Charging Current Less Than 0.39A Voltage 7.25~7.45V	
	Float (25°C)	Charge Voltage 6.8~6.9V	
Weight (Approx)		0.3Kg	

\*The above are average and date obtained from the first 3 charge/discharge cycles. These are not minimum values.

### Discharge Curve





Constant Current Discharge (Amperes) at 25°C (77°F)												
F.V/Time	5min	10min	15min	30min	1Hr	2Hr	3Hr	4Hr	5Hr	6Hr	10Hr	20Hr
1.80V/cell	3.59	2.69	1.95	1.31	0.77	0.43	0.325	0.260	0.229	0.187	0.122	0.064
1.75V/cell	3.72	2.74	1.99	1.34	0.78	0.44	0.338	0.273	0.234	0.190	0.125	0.065
1.70V/cell	4.06	2.91	2.11	1.39	0.79	0.46	0.347	0.277	0.238	0.194	0.127	0.066
1.65V/cell	4.46	3.16	2.29	1.47	0.79	0.46	0.351	0.280	0.241	0.195	0.129	0.066
1.60V/cell	4.84	3.32	2.41	1.53	0.81	0.47	0.354	0.282	0.243	0.199	0.130	0.068

Constant Power Discharge (Watts/cell) at 25°C (77°F)												
F.V/Time	5min	10min	15min	30min	1Hr	2Hr	3Hr	4Hr	5Hr	6Hr	10Hr	20Hr
1.80V/cell	23.50	17.30	13.86	8.24	4.73	2.56	1.894	1.566	1.307	1.098	0.730	0.382
1.75V/cell	27.20	18.74	14.50	8.56	4.87	2.61	1.932	1.593	1.326	1.114	0.741	0.390
1.70V/cell	28.90	19.42	14.95	8.76	4.96	2.66	1.950	1.621	1.333	1.137	0.745	0.392
1.65V/cell	30.20	19.88	15.29	8.88	5.02	2.69	1.964	1.638	1.338	1.148	0.746	0.393
1.60V/cell	31.20	20.28	15.60	8.97	5.07	2.71	1.975	1.655	1.342	1.159	0.746	0.393

## Loading Info

Master Carton			Pallet			20 GP	
Pcs/Ctn	Size(mm)	N.W.(kg)	Size(mm)	Total CTNS	N.W.(T)	Pallet Qty	Battery Qty(pcs)
20 PCS	250*210*90	6.00					