

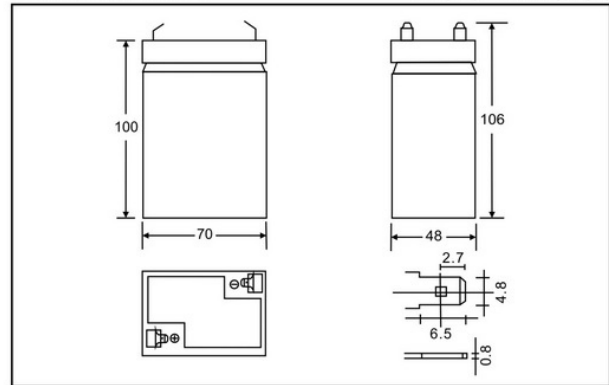


Akumulator żelowy VIPOW 6V 4.5Ah HQ



Plane Chart:

Unit:(mm) Terminal type:(F1)



ISO9001
ISO14001
OHSAS18001

Characteristic:

1. 100% testing before out of factory, stable and reliable quality is guaranteed.
2. Professional alloy formula and advanced manufacturing techniques.
3. Completely sealed and maintenance free, low self-discharge.
4. Good charge-discharge acceptability.
5. Cyclic application: deep cycle charge-discharge for more than 260 times.
6. Floating application: for 3-5 years.

Application:

- Anti-theft system
- Radio transceiver
- Power system
- Railroad engine and railway communication
- Emergency lighting and lamps
- Electric tools
- Electronic instruments and other backup power
- Medical facilities
- UPS for banking system
- Computer backup power
- Marine system
- UPS for fire fighting system
- Toys

Parts:

Executed Standard:GB/T 19639.1-2005

Cover	Container Bottom	Terminal	Positive Plate	Negative Plate	Separator	Electrolyte	Safety Valve	Seal Glue
ABS	ABS	Copper	PbO ₂	Pb	AGM	dilute sulphuric acid	Rubber	Epoxy Resin

Packing

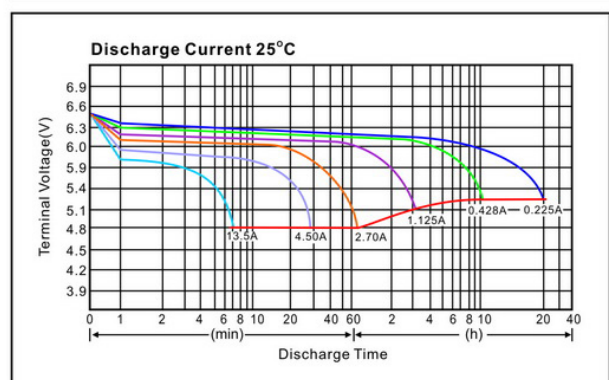
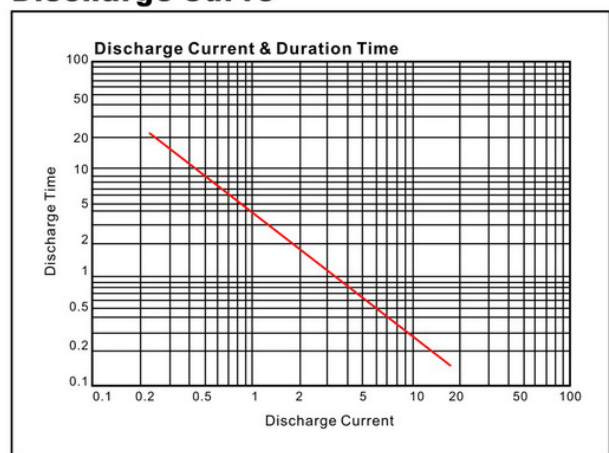
Date	Battery Packing	Inner Packing	Outer Packing
① Printing	① Polybag	Paper Box	Carton Packing
② Branded	② Shrink		
Carton Sealing		Accessories	
① Packing Strap	Bolts&nuts	Mini Charger	
② Shrink	With	Optional	

Parameter Chart:

Volts		6V	
Capacity(25°C)	20 hours rate (0.225A)	4.5Ah	
Discharge Current Testing (25°C)	20 I ₂₀ rate (4.5A, 27min)	37min	
	60 I ₆₀ rate(13.5A, 7min)	8min	
Internal Resistance	Full Charged Battery 25°C	20mΩ	
Capacity Affected By Temperature (20 hours rate)	40°C	102%	
	25°C	100%	
	0°C	85%	
	-15°C	62%	
Residual Capacity (25°C)	Capacity After 3 Months Storage	91%	
	Capacity After 6 Months Storage	82%	
	Capacity After 12 Months Storage	64%	
Cycle (Above 300 Time)	Discharge 2hrs at 1.125A Current Charge 6hrs at 0.45A Current (25°C)		
Charge (Constant Voltage)	Cycle (25°C)	Initial Charging Current Less Than 1.35A Voltage 7.25~7.45V	
	Float (25°C)	Charge Voltage 6.8~6.9V	
Weight (Approx)		0.83Kg	

★The above are average and date obtained from the first 3 charge/discharge cycles. These are not minimum values.

Discharge Curve





Constant Current Discharge (Amperes) at 25°C (77°F)												
F.V/Time	5min	10min	15min	30min	1Hr	2Hr	3Hr	4Hr	5Hr	6Hr	10Hr	20Hr
1.80V/cell	12.42	9.32	6.75	4.55	2.66	1.49	1.125	0.900	0.792	0.648	0.423	0.221
1.75V/cell	12.87	9.50	6.89	4.64	2.69	1.53	1.170	0.945	0.810	0.657	0.432	0.225
1.70V/cell	14.04	10.08	7.29	4.82	2.75	1.58	1.202	0.959	0.824	0.671	0.440	0.229
1.65V/cell	15.44	10.94	7.92	5.09	2.75	1.58	1.215	0.970	0.833	0.675	0.446	0.230
1.60V/cell	16.74	11.48	8.33	5.31	2.79	1.62	1.224	0.977	0.842	0.689	0.450	0.234

Constant Power Discharge (Watts/cell) at 25°C (77°F)												
F.V/Time	5min	10min	15min	30min	1Hr	2Hr	3Hr	4Hr	5Hr	6Hr	10Hr	20Hr
1.80V/cell	81.35	59.89	47.99	28.54	16.38	8.87	6.557	5.419	4.523	3.799	2.526	1.323
1.75V/cell	94.15	64.87	50.21	29.63	16.87	9.05	6.689	5.516	4.590	3.857	2.565	1.350
1.70V/cell	100.04	67.22	51.75	30.31	17.17	9.20	6.750	5.612	4.616	3.934	2.579	1.357
1.65V/cell	104.53	68.82	52.93	30.73	17.38	9.30	6.799	5.670	4.632	3.973	2.584	1.359
1.60V/cell	108.00	70.20	54.00	31.05	17.55	9.39	6.836	5.728	4.644	4.011	2.584	1.359

Loading Info

Master Carton			Pallet			20 GP	
Pcs/Ctn	Size(mm)	N.W.(kg)	Size(mm)	Total CTNS	N.W.(T)	Pallet Qty	Battery Qty(pcs)
20 PCS	295*245*136	16.60					