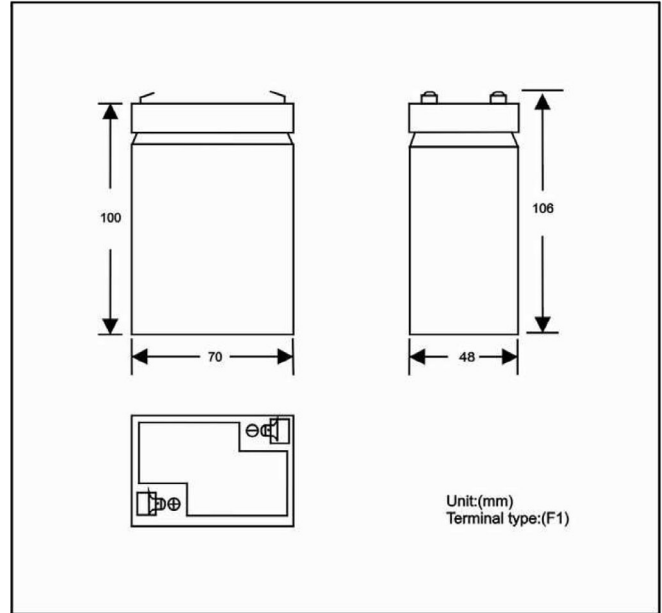




Akumulator żelowy VIPOW 6V 4.5Ah HQ



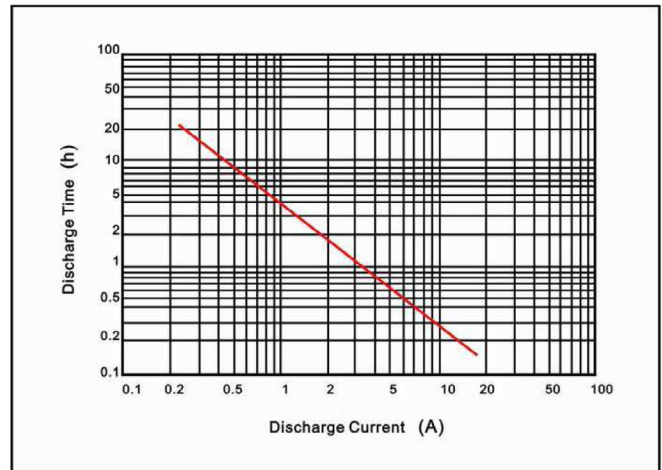
Specifications

| LP4.5-6HQ | | |
|--------------------------------|-------------------------------|---------------|
| Nominal Voltage | 6V | |
| Rated Capacity (20 hours rate) | 4.5Ah | |
| Dimension (±2mm) | Total Height (with terminals) | 106mm |
| | Length | 70mm |
| | Width Height | 48mm 100mm |
| Weight (Approx) | 0.83Kg | |

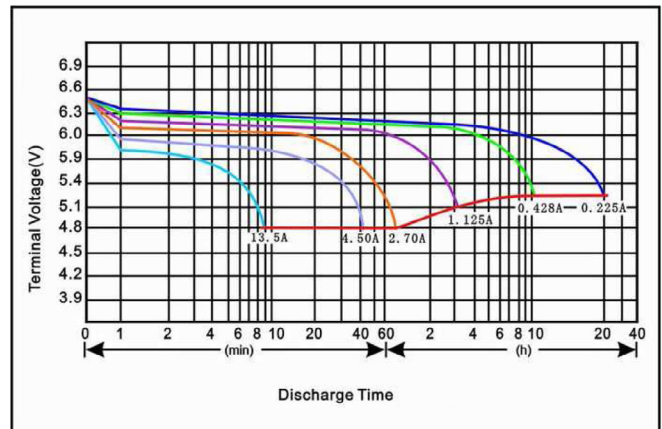
Characteristics

| | | |
|--|--|---|
| Capacity | 20 hours rate (0.225A) | 4.5Ah |
| Discharge Current Testing (25°C) | 20 I ₂₀ rate (4.5A, 27min) 60 I ₂₀ rate (13.5A, 7min) | 37min 8min |
| Internal Resistance | Full Charged Battery 25°C | 20mΩ |
| Capacity Affected By Temperature (20 hours rate) | 40°C 25°C 0°C -15°C | 102% 100% 85% 62% |
| Residual Capacity (25°C) | Capacity After 3 Months Storage Capacity After 6 Months Storage Capacity After 12 Months Storage | 91% 82% 64% |
| Cycle (Above 300 Time) | Discharge 2hrs at 1.125A Current Charge 6hrs at 0.45A Current (25°C) | |
| Charge (Constant Voltage) | Cycle (25°C) | Initial Charging Current Less Than 1.35A; Voltage 7.25~7.45V |
| | Float (25°C) | Charge Voltage 6.8~6.9V |

Discharge Current & Duration Time



Discharge Current 25°C



★ The above are average and date obtained from the first 3 charge/discharge cycles. These are not minimum values.