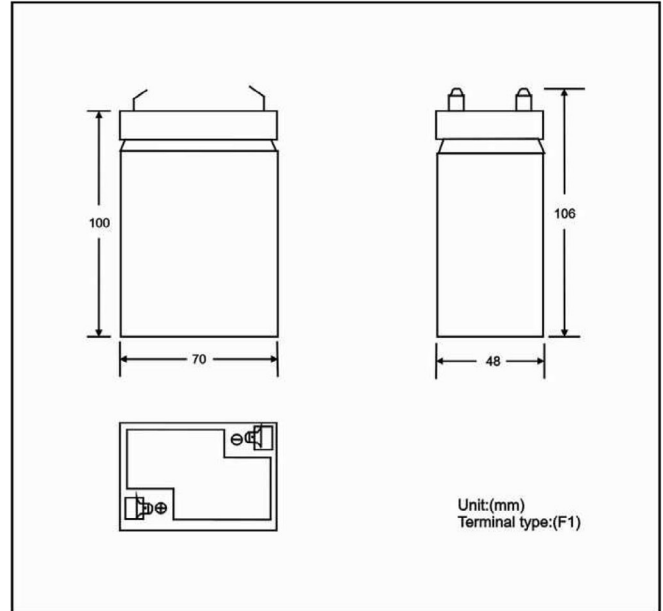




Akumulator żelowy VIPOW 6V 4.5Ah



Specifications

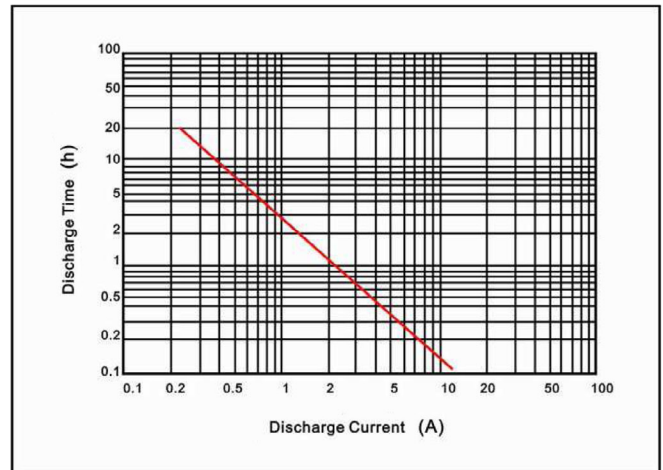
LP4.5-6		
Nominal Voltage		6V
Rated Capacity (20 hours rate)		4.5Ah
Dimension (±2mm)	Total Height (with terminals)	106mm
	Length	70mm
	Width Height	48mm 100mm
Weight (Approx)		0.70Kg

Characteristics

Capacity	20 hours rate (0.225A)	4.5Ah
Discharge Current Testing (25°C)	20 I ₂₀ rate (4.5A, 27min) 60 I ₂₀ rate (13.5A, 7min)	35min 8min
Internal Resistance	Full Charged Battery 25°C	21mΩ
Capacity Affected By Temperature (20 hours rate)	40°C 25°C 0°C -15°C	102% 100% 85% 62%
Residual Capacity (25°C)	Capacity After 3 Months Storage Capacity After 6 Months Storage Capacity After 12 Months Storage	91% 82% 64%
Cycle (Above 300 Time)	Discharge 2hrs at 1.125A Current Charge 6hrs at 0.45A Current (25°C)	
Charge (Constant Voltage)	Cycle (25°C)	Initial Charging Current Less Than 1.35A; Voltage 7.25~7.45V
	Float (25°C)	Charge Voltage 6.8~6.9V

★ The above are average and date obtained from the first 3 charge/discharge cycles. These are not minimum values.

Discharge Current & Duration Time



Discharge Current 25°C

