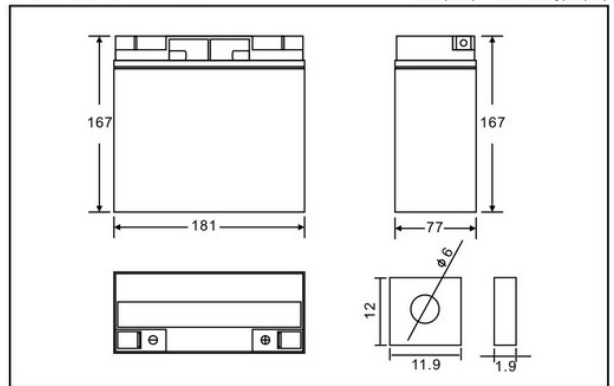




## Akumulator żelowy VIPOW 12V 20Ah



### Plane Chart:



ISO9001  
ISO140001  
OHSAS18001

### Characteristic:

- 100% testing before out of factory, stable and reliable quality is guaranteed.
- Professional alloy formula and advanced manufacturing techniques.
- Completely sealed and maintenance free, low self-discharge.
- Good charge-discharge acceptability.
- Cyclic application: deep cycle charge-discharge for more than 260 times.
- Floating application: for 3-5 years.

### Application:

- Anti-theft system
- Radio transceiver
- Power system
- Railroad engine and railway communication
- Emergency lighting and lamps
- Electric tools
- Electronic instruments and other backup power
- Medical facilities
- UPS for banking system
- Computer backup power
- Marine system
- UPS for fire fighting system
- Toys

### Parts:

Executed Standard:GB/T 19639.1-2005

Cover	Container Bottom	Terminal	Positive Plate	Negative Plate	Separator	Electrolyte	Safety Valve	Seal Glue
ABS	ABS	Copper	PbO <sub>2</sub>	Pb	AGM	dilute sulphuric acid	Rubber	Epoxy Resin

### Packing

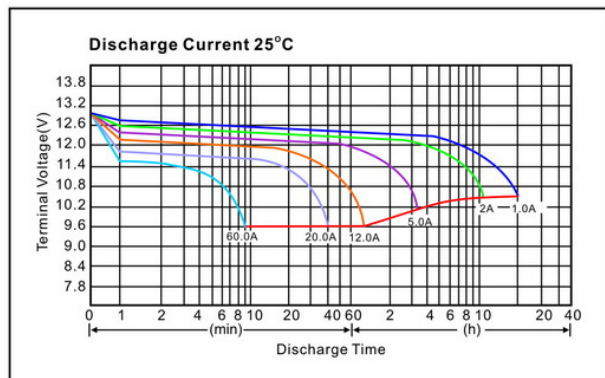
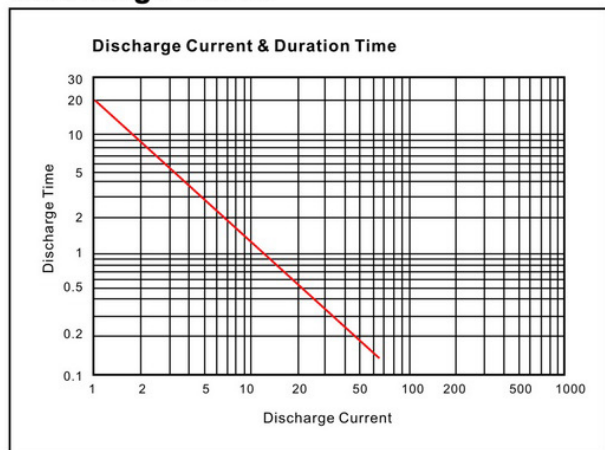
Date	Battery Packing	Inner Packing	Outer Packing
① Printing	① Polybag	Paper Box	Carton Packing
② Branded	② Shrink		
Carton Sealing		Accessories	
① Packing Strap		Bolts&nuts	Mini Charger
② Shrink		With	Optional

### Parameter Chart:

Volts	12V	
Capacity(25°C)	20 hours rate (1.0A)	20.0Ah
Discharge Current Testing (25°C)	20 I <sub>20</sub> rate (20A, 27min)	33min
	60 I <sub>30</sub> rate(60A, 7min)	8min
Internal Resistance	Full Charged Battery 25°C	
Capacity Affected By Temperature (20 hours rate)	40°C	102%
	25°C	100%
	0°C	85%
	-15°C	62%
Residual Capacity (25°C)	Capacity After 3 Months Storage	91%
	Capacity After 6 Months Storage	82%
	Capacity After 12 Months Storage	64%
Cycle (Above 300 Time)	Discharge 2hrs at 5.0A Current Charge 6hrs at 2.0A Current (25°C)	
Charge (Constant Voltage)	Cycle (25°C)	Initial Charging Current Less Than 6.0A Voltage 14.5~14.9V
	Float (25°C)	Charge Voltage 13.6~13.8V
Weight (Approx)		5.4Kg

★The above are average and date obtained from the first 3 charge/discharge cycles. These are not minimum values.

### Discharge Curve





Constant Current Discharge (Amperes) at 25°C (77°F)												
F.V/Time	5min	10min	15min	30min	1Hr	2Hr	3Hr	4Hr	5Hr	6Hr	10Hr	20Hr
1.80V/cell	55.20	41.40	30.00	20.20	11.80	6.60	5.000	4.000	3.520	2.880	1.880	0.980
1.75V/cell	57.20	42.20	30.60	20.60	11.96	6.80	5.200	4.200	3.600	2.920	1.920	1.000
1.70V/cell	62.40	44.80	32.40	21.40	12.20	7.00	5.340	4.260	3.660	2.980	1.956	1.016
1.65V/cell	68.60	48.60	35.20	22.60	12.20	7.04	5.400	4.312	3.700	3.000	1.980	1.020
1.60V/cell	74.40	51.00	37.00	23.60	12.40	7.20	5.440	4.340	3.740	3.060	2.000	1.040

Constant Power Discharge (Watts/cell) at 25°C (77°F)												
F.V/Time	5min	10min	15min	30min	1Hr	2Hr	3Hr	4Hr	5Hr	6Hr	10Hr	20Hr
1.80V/cell	723.12	532.32	426.60	253.68	145.57	78.86	58.284	48.171	40.200	33.771	22.452	11.760
1.75V/cell	836.88	576.60	446.28	263.40	149.92	80.40	59.460	49.029	40.800	34.286	22.800	12.000
1.70V/cell	889.20	597.48	459.96	269.40	152.63	81.77	60.000	49.886	41.028	34.971	22.920	12.060
1.65V/cell	929.16	611.76	470.52	273.12	154.45	82.63	60.432	50.400	41.172	35.314	22.968	12.084
1.60V/cell	960.00	624.00	480.00	276.00	156.00	83.49	60.768	50.914	41.280	35.657	22.968	12.084

## Loading Info

Master Carton			Pallet			20 GP	
Pcs/Ctn	Size(mm)	N.W.(kg)	Size(mm)	Total CTNS	N.W.(T)	Pallet Qty	Battery Qty(pcs)
4 PCS	315*190*195	21.60	1.12*0.82	72	1.56	14	4032